



RHINO-RACK

ARB & TJM Fit Kit (31103 & 31123)

Place these instructions in the vehicle's glove box after installation is complete.

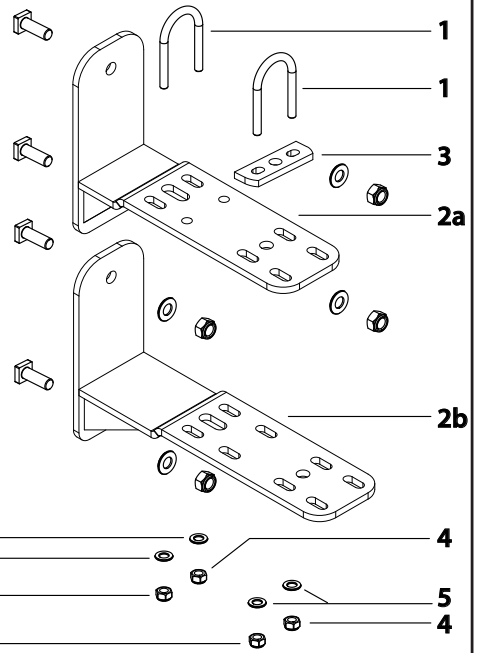
Important: Please read these instructions carefully prior to installation. Check the contents of kit before commencing fitment and report any discrepancies

This kit is to be used in conjunction with the fitting kit supplied with your Rhino Rack FOXWING Awning by OZTENT

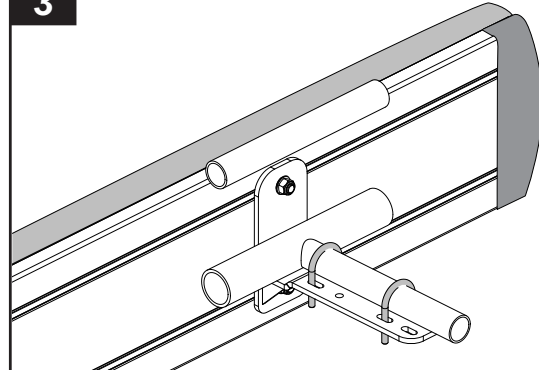
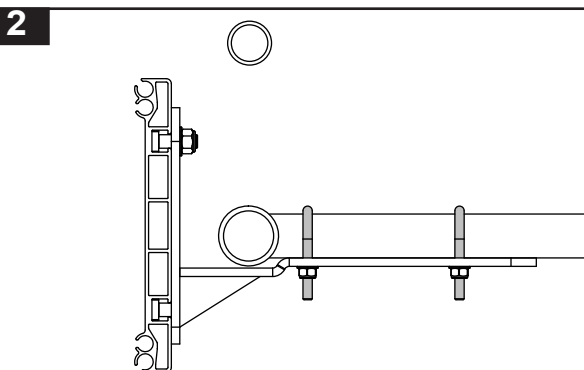
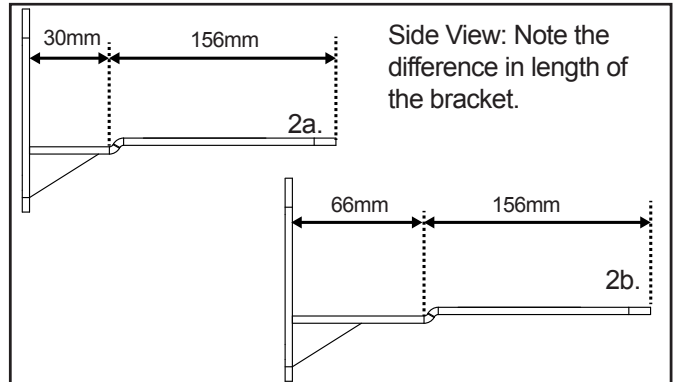
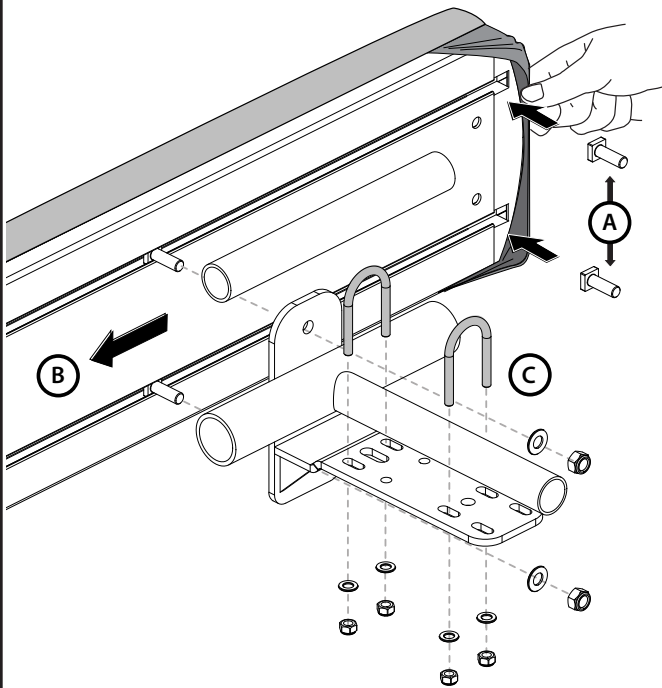
Parts List

Item	Component Name	Qty	Part No.
1	U-bolt 28mm Round	6	C752
2a*	Foxwing Roof Tray Bracket	2	C716
2b*	Foxwing Roof Tray Bracket New	2	CA1157
3	Foxwing Roof Tray Packer	2	C754
4	M6 Nyloc Nut	12	N013
5	M6 x 16 Stainless Flat Washer	12	W031
6	Fitting Instructions	1	RR213

*Note: Item 2a and 2b are kit specific. 31103 will contain 2a, 31123 will contain 2b.



1 For ARB Tray (Steel - no mesh)

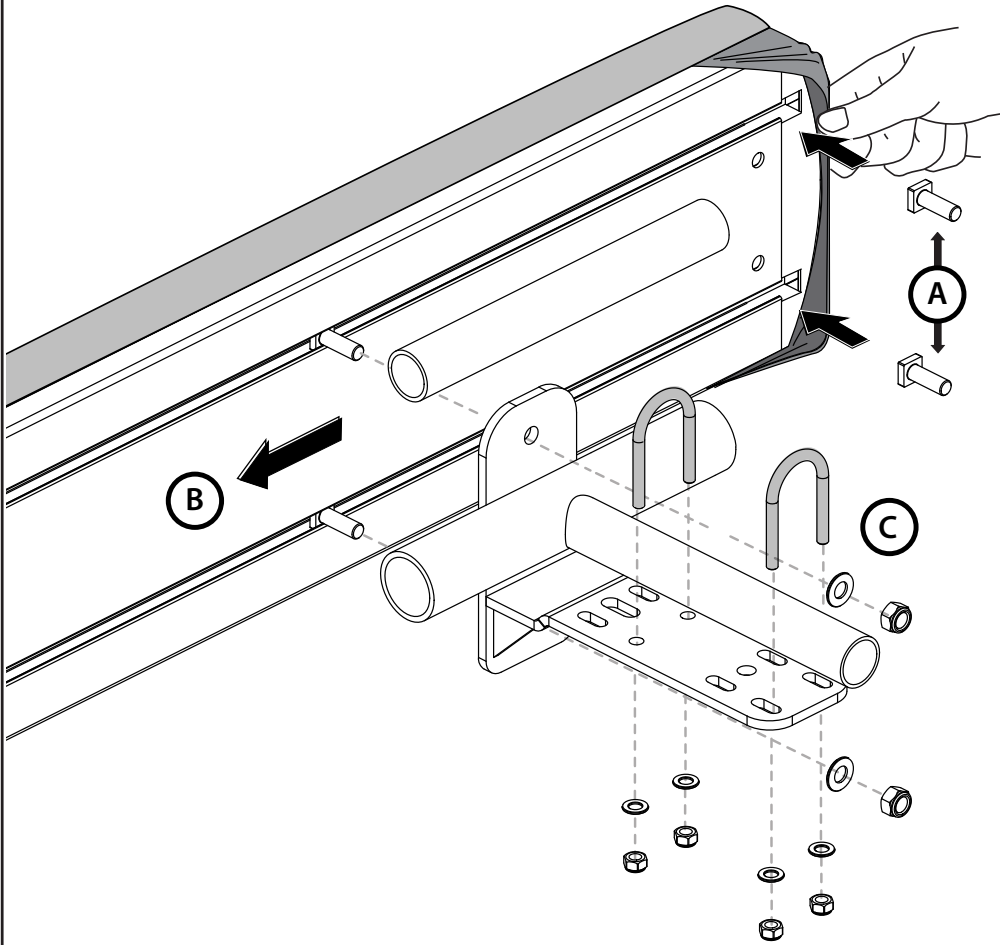




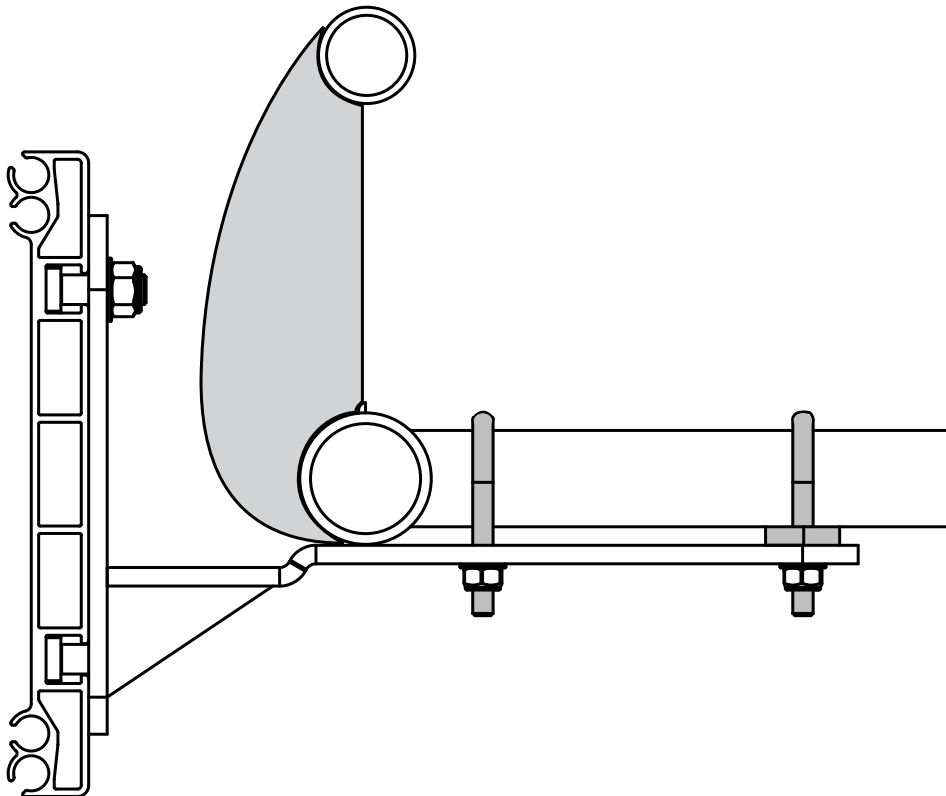
Rhino-Rack FOXWING ARB and TJM Bracket

1

For ARB Tray (Steel - no Mesh)



2

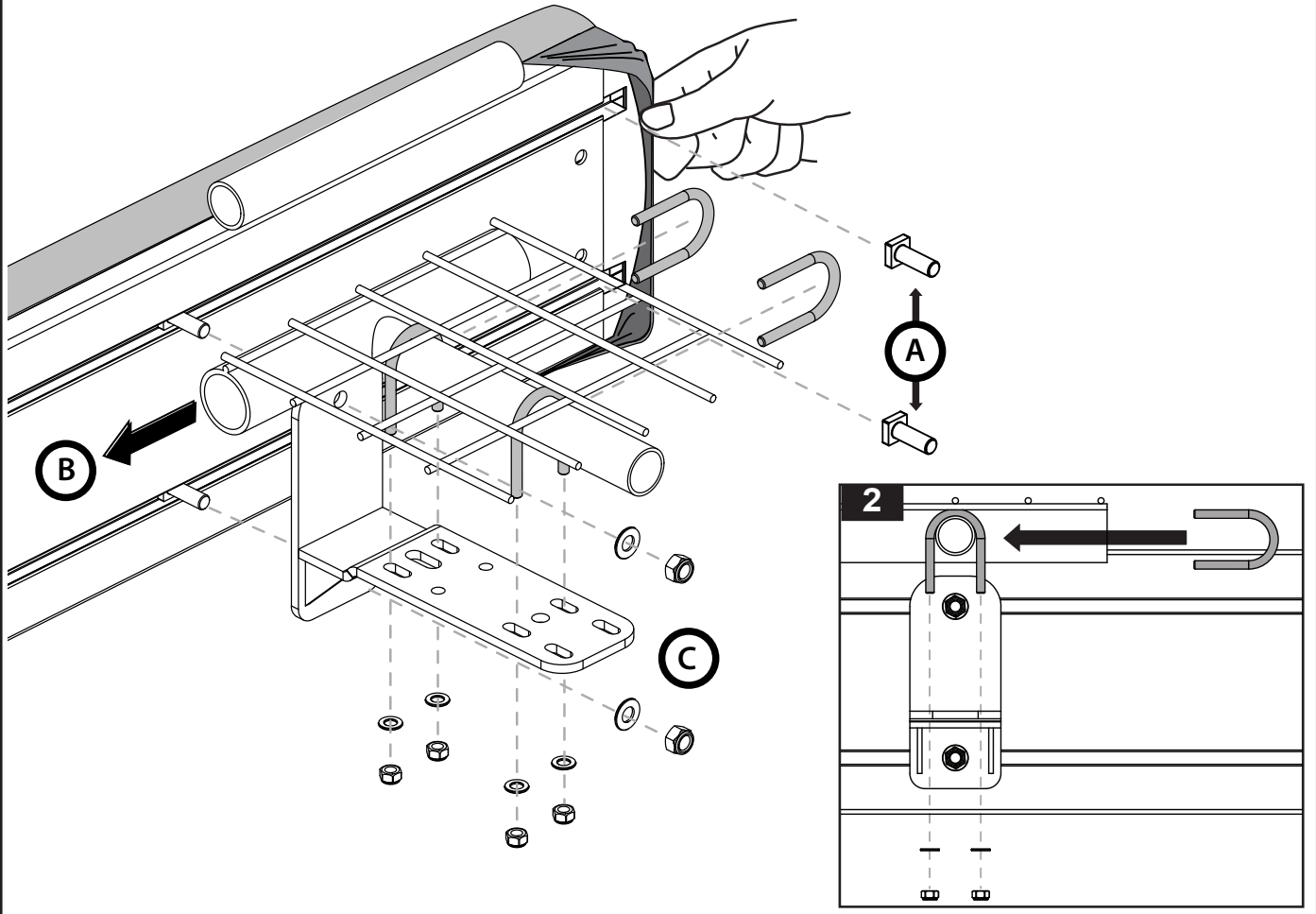




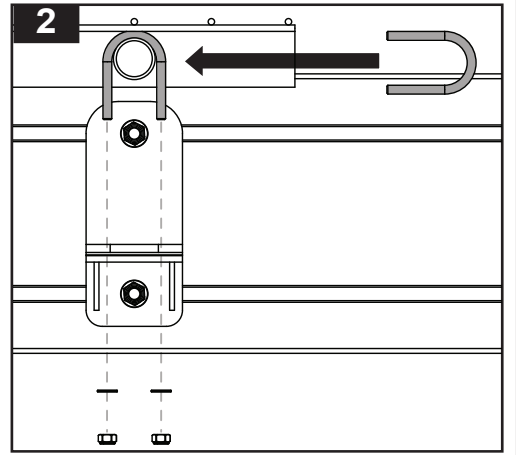
Rhino-Rack FOXWING ARB and TJM Bracket

1

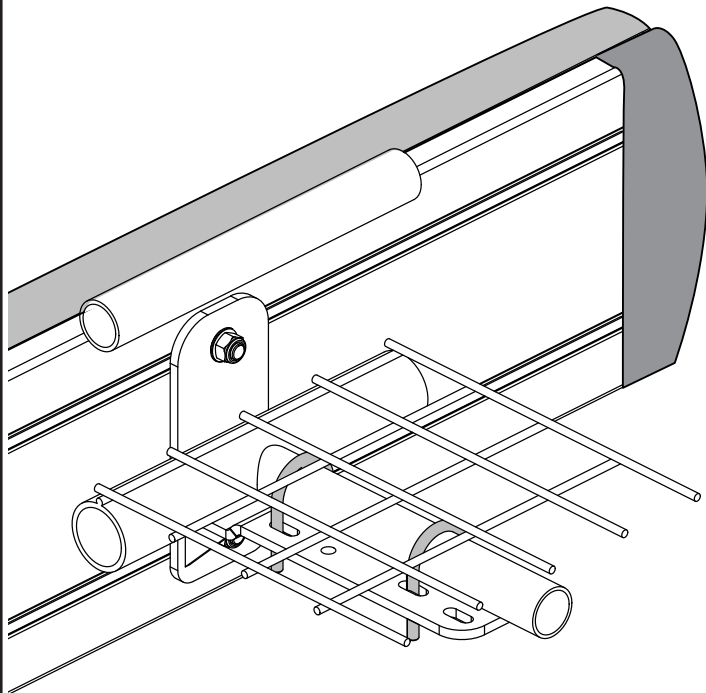
For ARB Tray (Steel with Mesh)



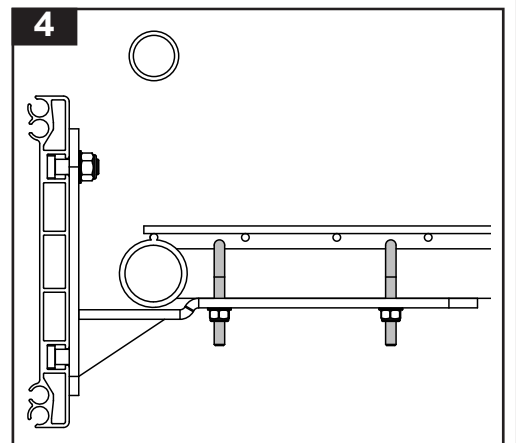
2



3



4

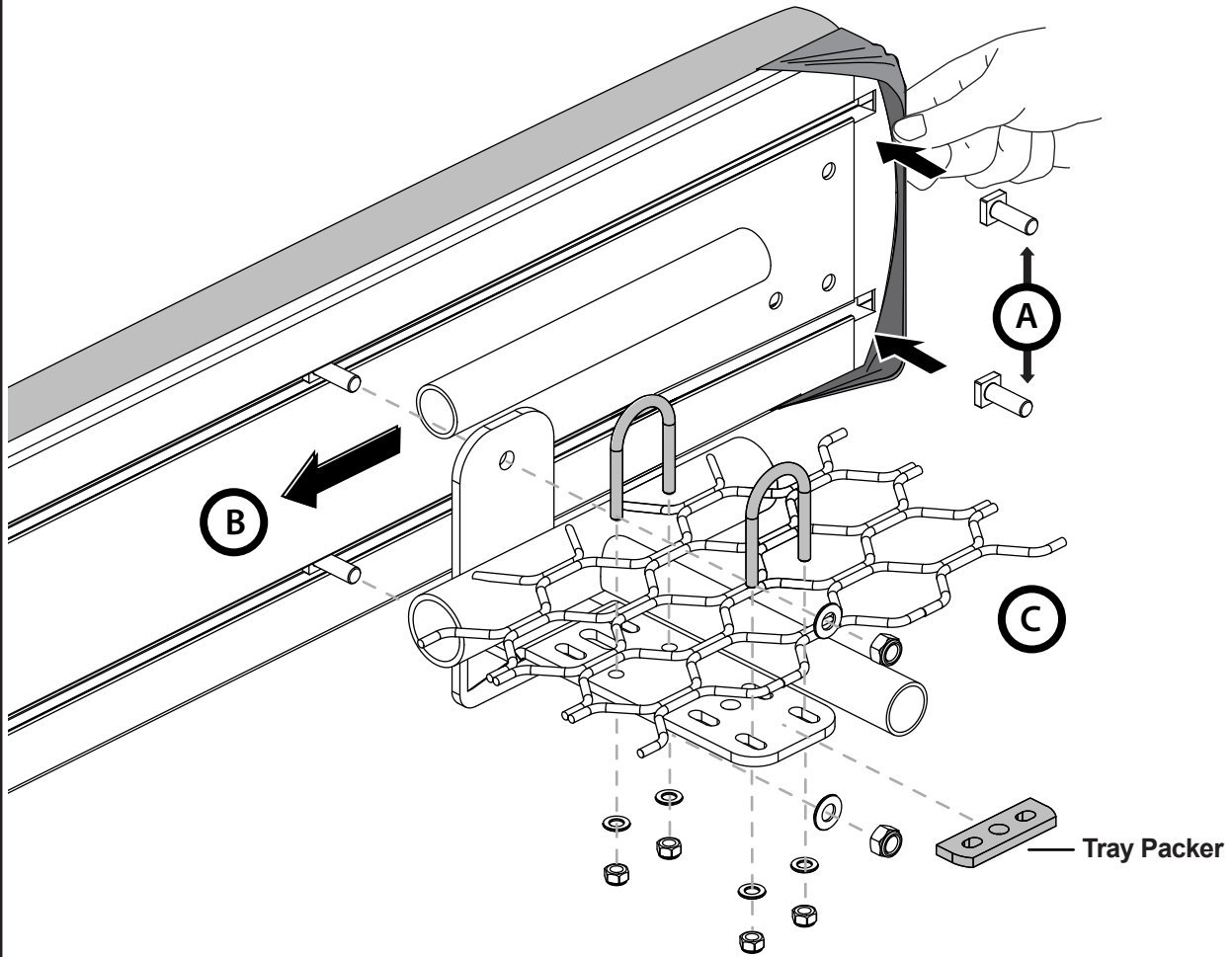




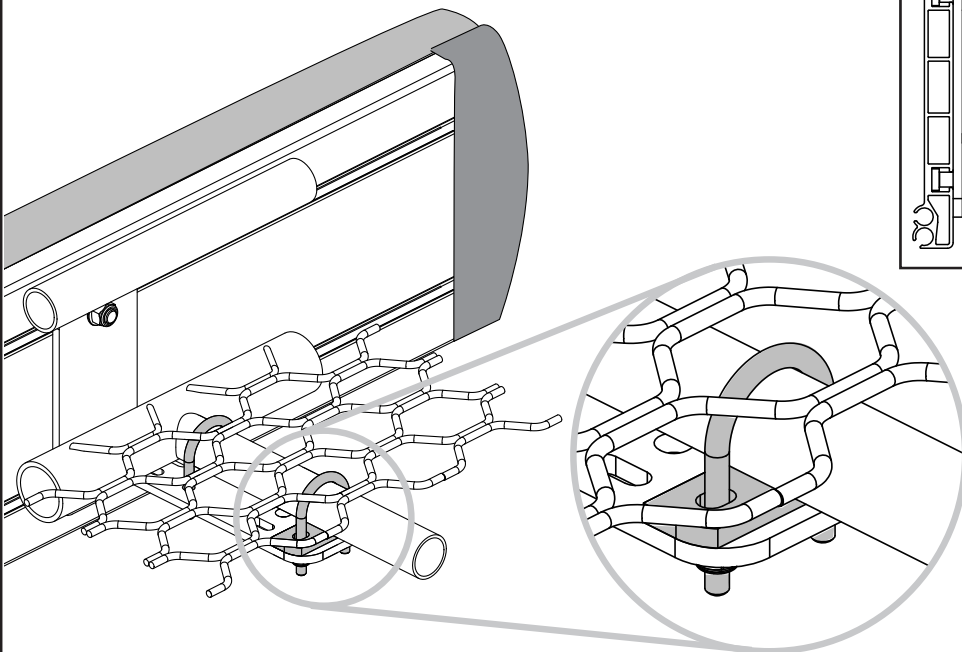
Rhino-Rack FOXWING ARB and TJM Bracket

1

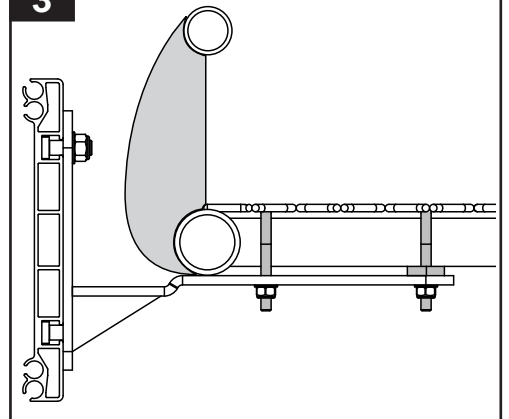
For ARB Tray (Alloy)



2

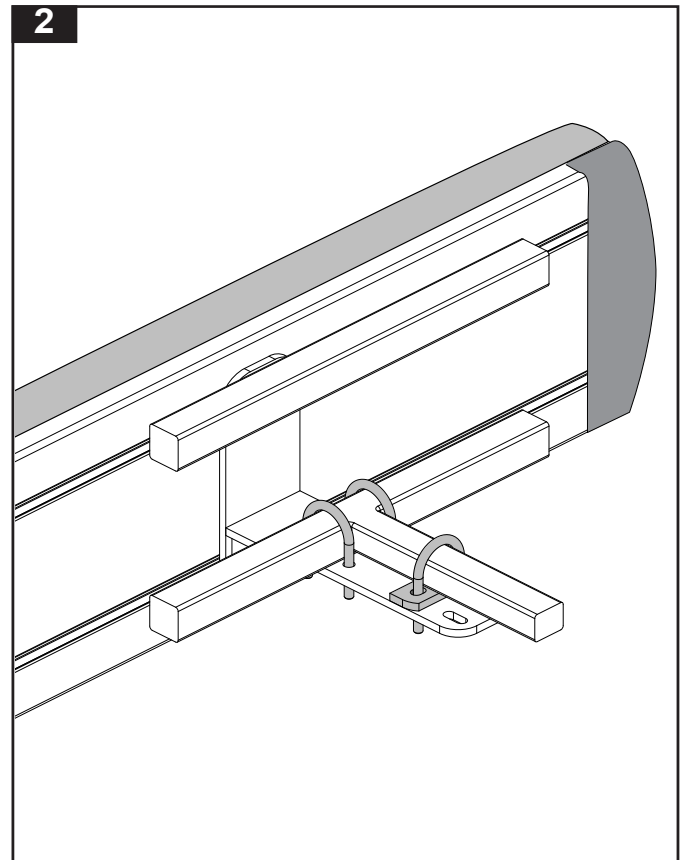
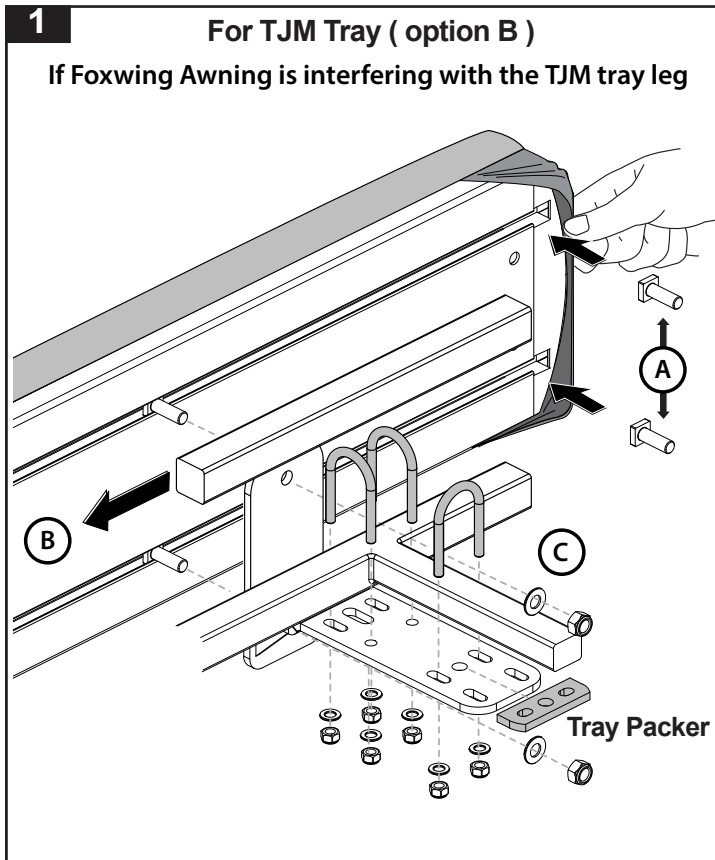
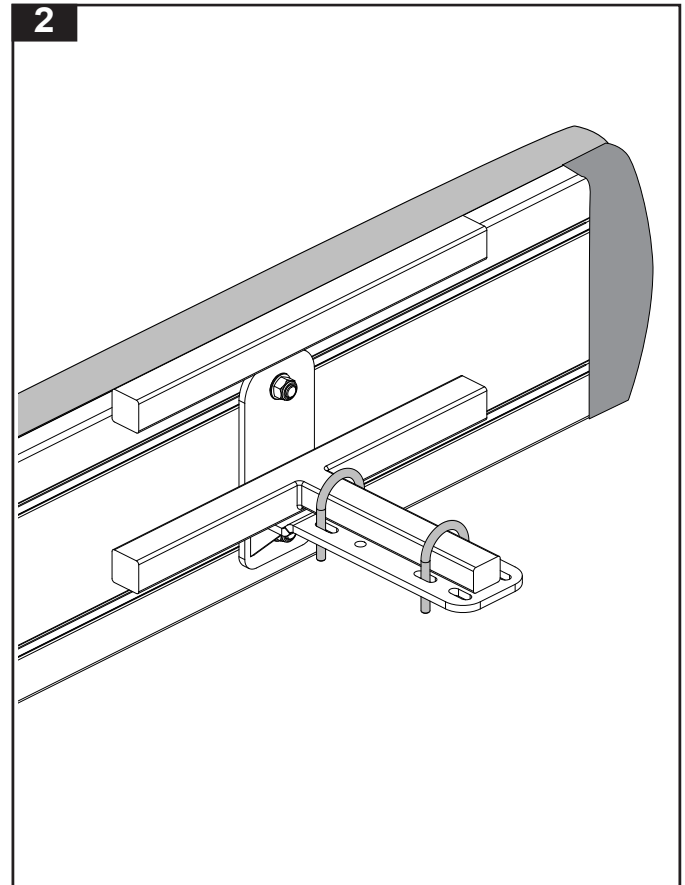
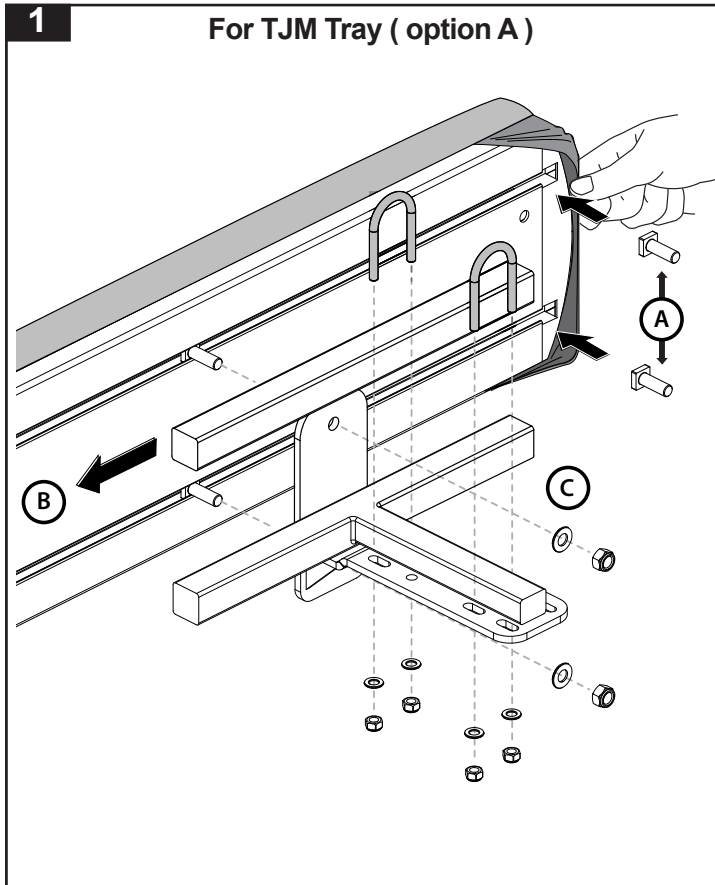


3





Rhino-Rack FOXWING ARB and TJM Bracket



Rhino-Rack
3 Pike Street, Rydalmere,
NSW 2116, Australia.
(Ph) (02) 9638 4744
(Fax) (02) 9638 4822

Document No: RR213
Prepared By: Andy Wana
Authorised By: Gary England

Issue No: 03
Issue Date: 18/09/2014