



# RHINO-RACK

Aerodynamic & Heavy Duty Roof Rack Systems

## Tracklander Fit Kit (31104)

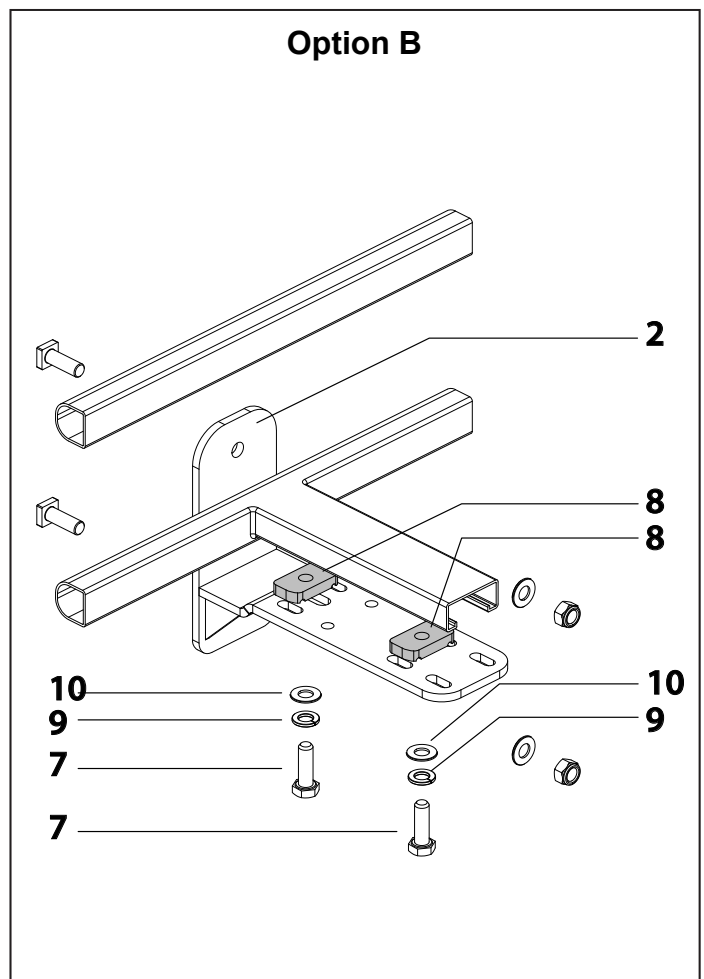
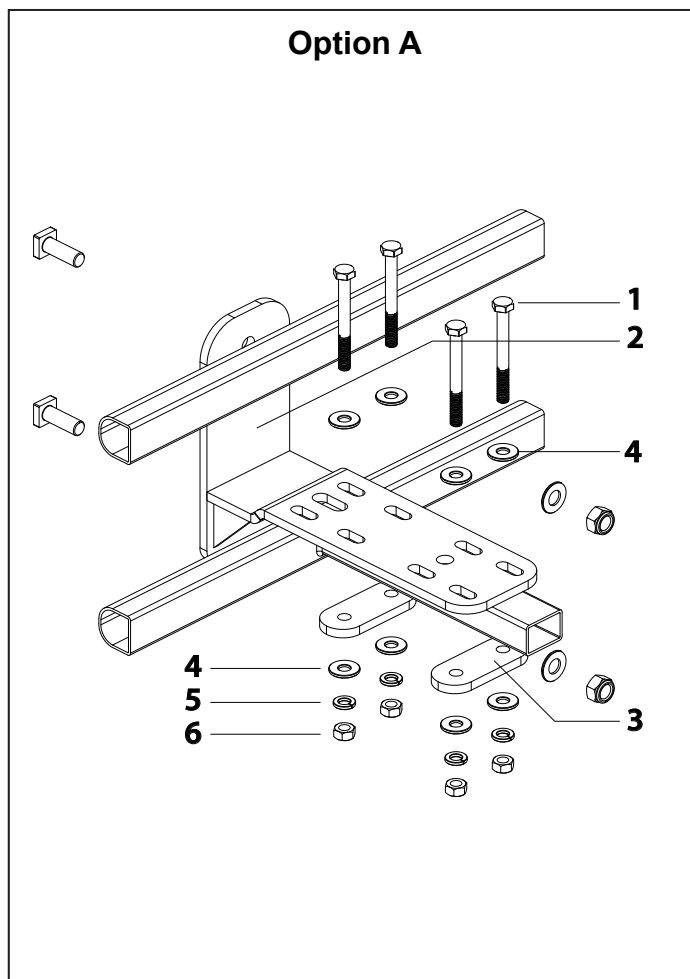
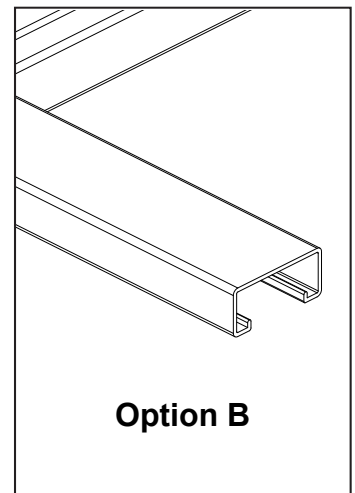
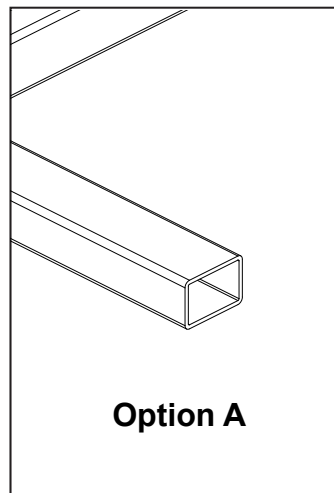
Place these instructions in the vehicle's glove box after installation is complete.

**Important:** Please read these instructions carefully prior to installation. Check the contents of kit before commencing fitment and report any discrepancies

**This kit is to be used in conjunction with the fitting kit supplied with your Rhino Rack FOXWING Awning by OZTENT**

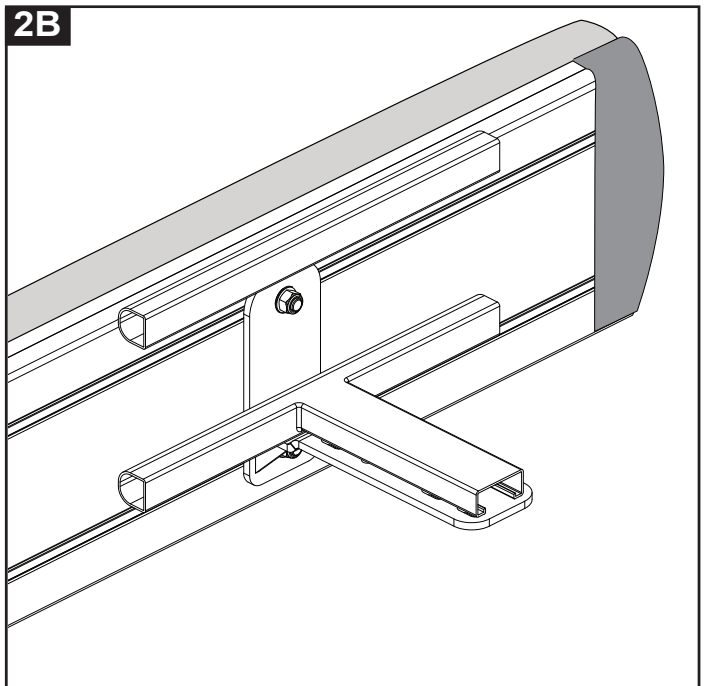
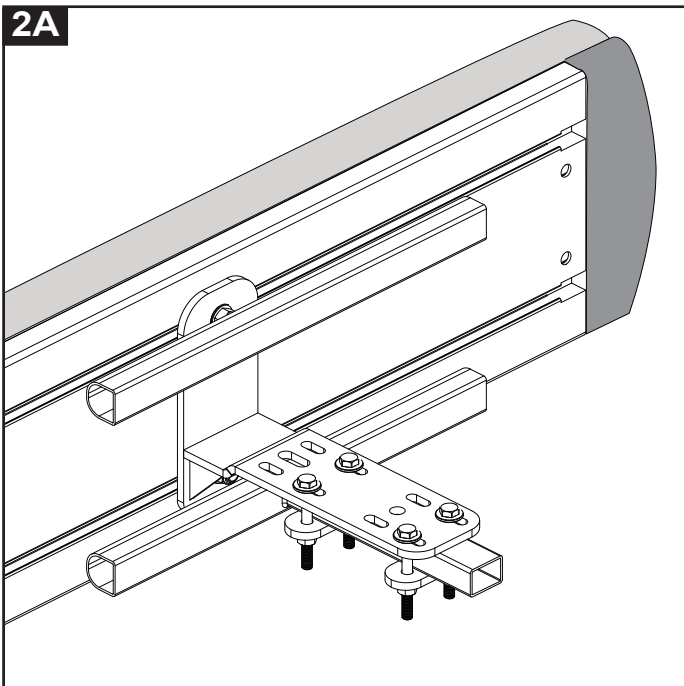
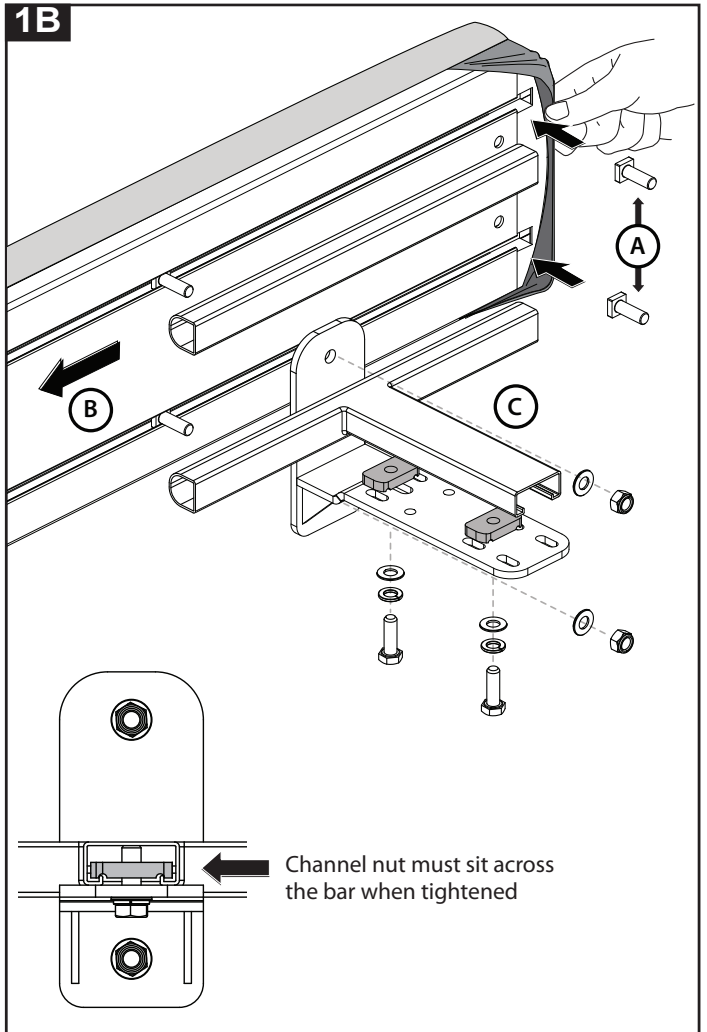
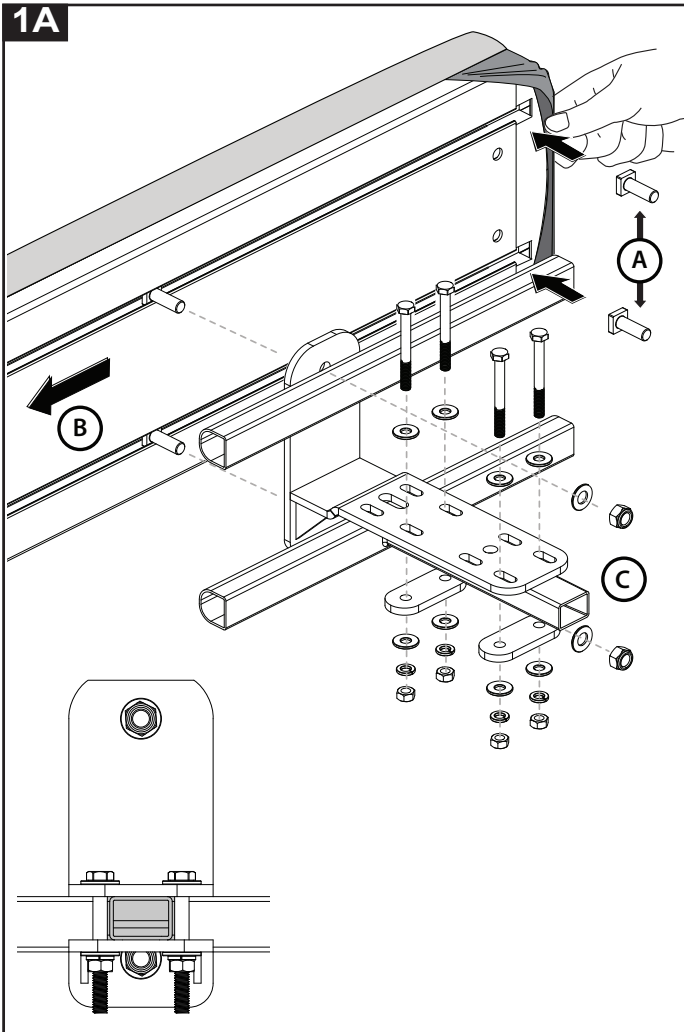
### Parts List

Item	Component Name	Qty	Part No.
1	M6 x 55 Bolt	8	B136
2	Foxwing Roof Tray Bracket	2	C716
3	Tray Spacer	4	C754
4	M6 Flat Washer	16	W003
5	M6 Spring Washer	8	W004
6	M6 Nut	8	N057
7	M8 X 25 Hex Screw	4	B169
8	M8 Channel Nut	4	N003
9	M8 Spring Washer	4	W019
10	M8 X 17 Flat Washer	4	W020
11	Fitting Instructions	1	RR214





# Rhino-Rack Tracklander Bracket



Rhino-Rack  
3 Pike Street, Rydalmere,  
NSW 2116, Australia.  
(Ph) (02) 9638 4744  
(Fax) (02) 9638 4822

Document No: RR214  
Prepared By: Andy Wana  
Authorised By: Gary England

Issue No: 02  
Issue Date: 06/11/2009