



RHINO-RACK

Aerodynamic & Heavy Duty Roof Rack Systems

31111 - Universal Awning Kit

Place these instructions in the vehicle's glove box after installation is complete.

Important:

Please read these instructions carefully prior to installation.
Please refer to your fitting instruction to ensure that the roof racks are installed in the correct locations.
Check the contents of kit before commencing fitment and report any discrepancies.

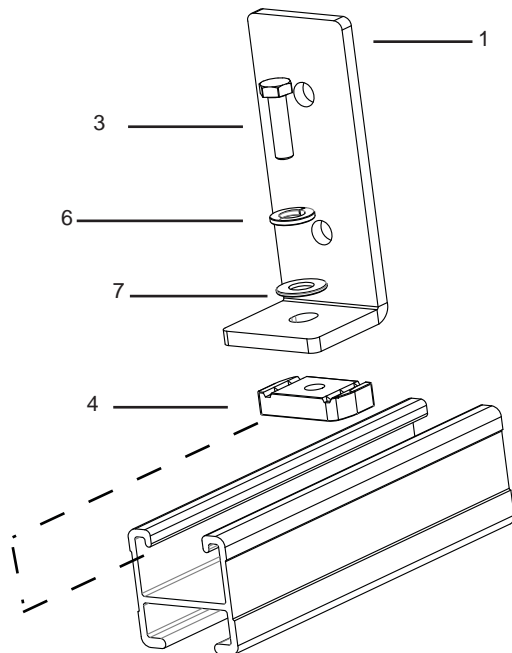
Parts List

Item	Component Name	Qty.	Part No.
1	L fitting Plate P1326	2	C640
2	M8x16 SQ HD T Bolt	2	B018
3	M8x22 Hex Set screw	2	B076
4	M8 Channel Nut	2	N003
5	M8 Nyloc Nut	2	N028
6	M8 Spring washer S/S	2	W019
7	M8x17 Flat Washer	2	W020
8	Fitting Instruction	1	R044

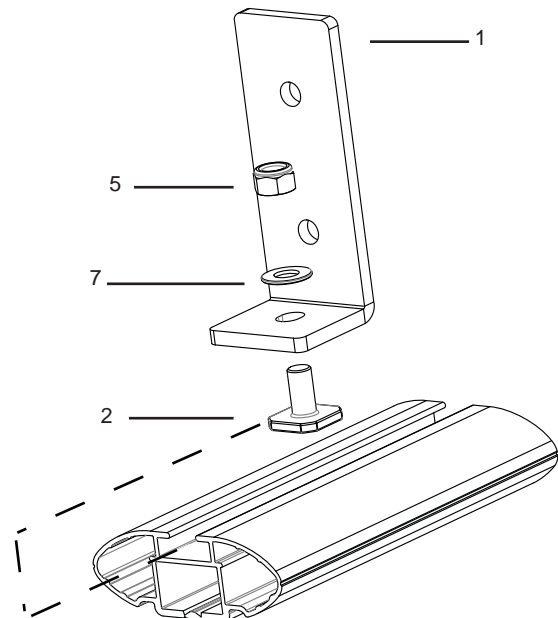
Tools Required

13mm Spanner or ratchet

1 Option 1: Fitment to Rhino Heavy Duty bar



2 Option 2: Fitment to Rhino Aero bar



Rhino-Rack
3 Pike Street, Rydalmere,
NSW 2116, Australia.
(Ph) (02) 9638 4744 (Fax) (02) 9638 4822

Document No: R044
Prepared By: Chris Murty
Authorised By: Gary England

Issue No: 01
Issue Date: 12/10/2010

These instructions remain the property of Rhino-Rack Australia Pty Ltd and may not be used or changed for any other purpose than intended.