

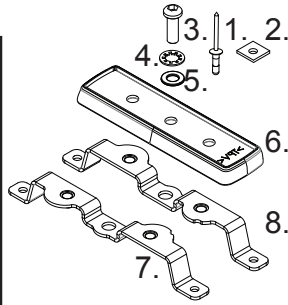


RHINO-RACK

CONTROLLED

QMFK09

- *Note:** RLT600 Parts as separate.
- Mark hole points through each bracket.
 - Centre punch marked hole positions.
 - Drill Ø5mm holes.
 - Vacuum swarf and clean after drilling.
 - Apply Cold Galvanising paint to holes.
 - Apply Butyl patches concentric with each drilled hole.
 - Locate the rivets through each bracket into drilled holes. Set all rivets.
 - Fasten RLT600 base as per instructions.



Item	Component Name	Qty	Part No.
1	5mm Rivet	4	H008
2	Butyl Patch	4	CA1556
3	M8 x 12mm Button Head Screw	2	B081
4	M8 Shake Proof Washer	2	W033
5	M8 x 17mm Flat Washer	2	W020
6	RLT600 High Skirt	2	M829
7	Quick Mount Bracket LH Front	1	CA1635
8	Quick Mount Bracket RH Front	1	CA1634
9	Instructions	1	R1006

Please refer to 'Fit My Car' on the Rhino-Rack web site for comprehensive instructions on fitting racks to your vehicle.

Issue: 01 Document No: R1006 Prepared by: Kayle Everett

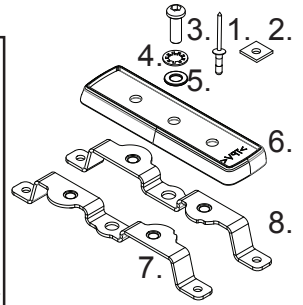


RHINO-RACK

CONTROLLED

QMFK09

- *Note:** RLT600 Parts as separate.
- Mark hole points through each bracket.
 - Centre punch marked hole positions.
 - Drill Ø5mm holes.
 - Vacuum swarf and clean after drilling.
 - Apply Cold Galvanising paint to holes.
 - Apply Butyl patches concentric with each drilled hole.
 - Locate the rivets through each bracket into drilled holes. Set all rivets.
 - Fasten RLT600 base as per instructions.



Item	Component Name	Qty	Part No.
1	5mm Rivet	4	H008
2	Butyl Patch	4	CA1556
3	M8 x 12mm Button Head Screw	2	B081
4	M8 Shake Proof Washer	2	W033
5	M8 x 17mm Flat Washer	2	W020
6	RLT600 High Skirt	2	M829
7	Quick Mount Bracket LH Front	1	CA1635
8	Quick Mount Bracket RH Front	1	CA1634
9	Instructions	1	R1006

Please refer to 'Fit My Car' on the Rhino-Rack web site for comprehensive instructions on fitting racks to your vehicle.

Issue: 01 Document No: R1006 Prepared by: Kayle Everett

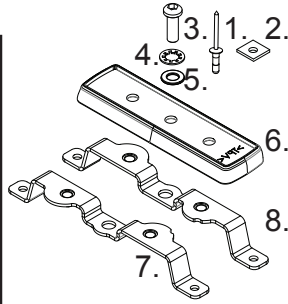


RHINO-RACK

CONTROLLED

QMFK09

- *Note:** RLT600 Parts as separate.
- Mark hole points through each bracket.
 - Centre punch marked hole positions.
 - Drill Ø5mm holes.
 - Vacuum swarf and clean after drilling.
 - Apply Cold Galvanising paint to holes.
 - Apply Butyl patches concentric with each drilled hole.
 - Locate the rivets through each bracket into drilled holes. Set all rivets.
 - Fasten RLT600 base as per instructions.



Item	Component Name	Qty	Part No.
1	5mm Rivet	4	H008
2	Butyl Patch	4	CA1556
3	M8 x 12mm Button Head Screw	2	B081
4	M8 Shake Proof Washer	2	W033
5	M8 x 17mm Flat Washer	2	W020
6	RLT600 High Skirt	2	M829
7	Quick Mount Bracket LH Front	1	CA1635
8	Quick Mount Bracket RH Front	1	CA1634
9	Instructions	1	R1006

Please refer to 'Fit My Car' on the Rhino-Rack web site for comprehensive instructions on fitting racks to your vehicle.

Issue: 01 Document No: R1006 Prepared by: Kayle Everett

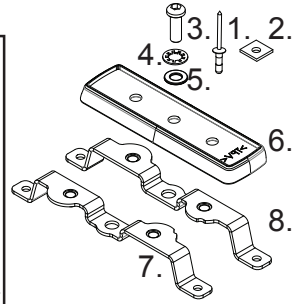


RHINO-RACK

CONTROLLED

QMFK09

- *Note:** RLT600 Parts as separate.
- Mark hole points through each bracket.
 - Centre punch marked hole positions.
 - Drill Ø5mm holes.
 - Vacuum swarf and clean after drilling.
 - Apply Cold Galvanising paint to holes.
 - Apply Butyl patches concentric with each drilled hole.
 - Locate the rivets through each bracket into drilled holes. Set all rivets.
 - Fasten RLT600 base as per instructions.



Item	Component Name	Qty	Part No.
1	5mm Rivet	4	H008
2	Butyl Patch	4	CA1556
3	M8 x 12mm Button Head Screw	2	B081
4	M8 Shake Proof Washer	2	W033
5	M8 x 17mm Flat Washer	2	W020
6	RLT600 High Skirt	2	M829
7	Quick Mount Bracket LH Front	1	CA1635
8	Quick Mount Bracket RH Front	1	CA1634
9	Instructions	1	R1006

Please refer to 'Fit My Car' on the Rhino-Rack web site for comprehensive instructions on fitting racks to your vehicle.

Issue: 01 Document No: R1006 Prepared by: Kayle Everett

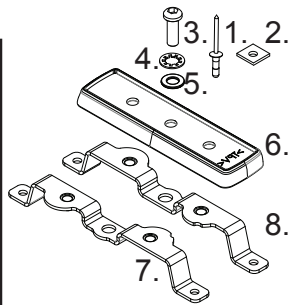


RHINO-RACK

CONTROLLED

QMFK09

- *Note:** RLT600 Parts as separate.
- Mark hole points through each bracket.
 - Centre punch marked hole positions.
 - Drill Ø5mm holes.
 - Vacuum swarf and clean after drilling.
 - Apply Cold Galvanising paint to holes.
 - Apply Butyl patches concentric with each drilled hole.
 - Locate the rivets through each bracket into drilled holes. Set all rivets.
 - Fasten RLT600 base as per instructions.



Item	Component Name	Qty	Part No.
1	5mm Rivet	4	H008
2	Butyl Patch	4	CA1556
3	M8 x 12mm Button Head Screw	2	B081
4	M8 Shake Proof Washer	2	W033
5	M8 x 17mm Flat Washer	2	W020
6	RLT600 High Skirt	2	M829
7	Quick Mount Bracket LH Front	1	CA1635
8	Quick Mount Bracket RH Front	1	CA1634
9	Instructions	1	R1006

Please refer to 'Fit My Car' on the Rhino-Rack web site for comprehensive instructions on fitting racks to your vehicle.

Issue: 01 Document No: R1006 Prepared by: Kayle Everett

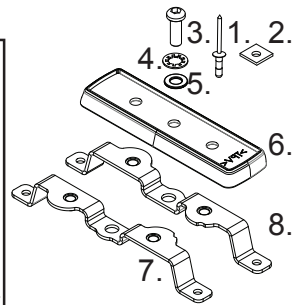


RHINO-RACK

CONTROLLED

QMFK09

- *Note:** RLT600 Parts as separate.
- Mark hole points through each bracket.
 - Centre punch marked hole positions.
 - Drill Ø5mm holes.
 - Vacuum swarf and clean after drilling.
 - Apply Cold Galvanising paint to holes.
 - Apply Butyl patches concentric with each drilled hole.
 - Locate the rivets through each bracket into drilled holes. Set all rivets.
 - Fasten RLT600 base as per instructions.



Item	Component Name	Qty	Part No.
1	5mm Rivet	4	H008
2	Butyl Patch	4	CA1556
3	M8 x 12mm Button Head Screw	2	B081
4	M8 Shake Proof Washer	2	W033
5	M8 x 17mm Flat Washer	2	W020
6	RLT600 High Skirt	2	M829
7	Quick Mount Bracket LH Front	1	CA1635
8	Quick Mount Bracket RH Front	1	CA1634
9	Instructions	1	R1006

Please refer to 'Fit My Car' on the Rhino-Rack web site for comprehensive instructions on fitting racks to your vehicle.

Issue: 01 Document No: R1006 Prepared by: Kayle Everett