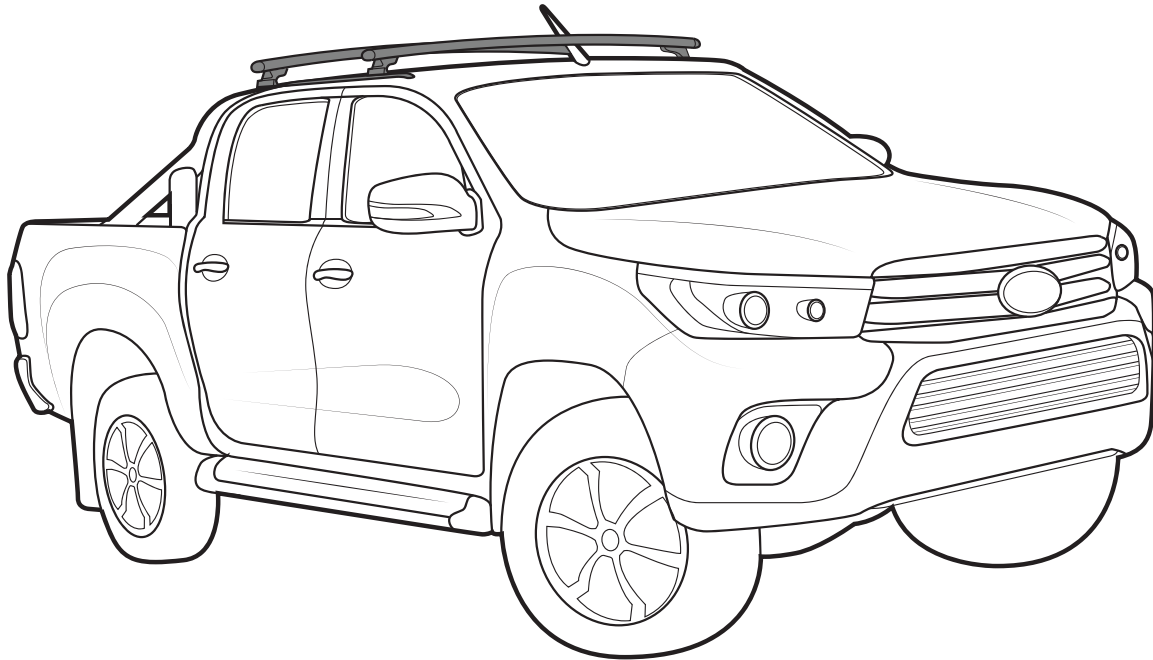




# RHINO-RACK

## Toyota Hilux Track Mount (RTS543)

**Important:** Please read these instructions carefully prior to installation.  
Check the contents of this kit before commencing fitment and report any discrepancies.  
Place these instructions in the vehicle's glove box after installation is complete.



### Important Information

1.  Check Part No./Kit is correct
2.  Read through instruction before installing
3.  Fit roof rack accessory
4.  Check and recheck all fasteners are secure

**Maximum carrying capacity:** 100kg (220lbs) including the weight of the rack system.

Please refer to your vehicle manufacturers handbook for maximum carrying capacity. Always use the lower of the two figures. Load must be evenly distributed over the entire basket.

**Warning:** Do not attempt to fit the rack system to your vehicle unless you fully understand these fitting instructions. Please direct any questions regarding fitting to the dealer from where the roof racks were purchased.

**Use only non-stretch fastening ropes or straps.**

**Recommendations:** It is essential that all bolt connections be checked after driving a short distance when you first install your roof racks. Bolt connections should be checked again at regular intervals (once a week is enough, depending on road conditions, usage, loads and distances travelled). You should also check the roof racks each time they are re-fitted. Always make sure to fasten your load securely. Please also ensure that all loads are evenly distributed and that the centre of gravity is kept as low as possible and must be entirely contained within the extents of the roof racks. **Rack System must be removed when putting vehicle through an automatic car wash.**

**Caution:** The handling characteristics of the vehicle changes when you transport a load on the roof. For safety reasons we recommend you exercise extreme care when transporting wind-resistant loads. Special consideration must be taken into account when cornering and braking.

**Off-road use:**

The Track Rack System may be used in off road applications, however a safety factor of 1.5 is enforced. That is, maximum permissible off road load is **67kg (147lbs)**. Although the crossbars are tested and approved to AS1235-2000/ 15011154, off-road conditions can be much more rigorous. Extreme care must be taken in off road conditions

**Note for Dealers and Fitters:**

It is your responsibility to ensure these fitting instructions are given to the end user or client.

Rhino-Rack 3 Pike Street, Rydalmere,

NSW 2116, Australia.

(Ph) (02) 9638 4744

(Fax) (02) 9638 4822

Document No: R841

Prepared By: Kayle Everett

Authorised By: Chris Murty

Fit Time: 45 min

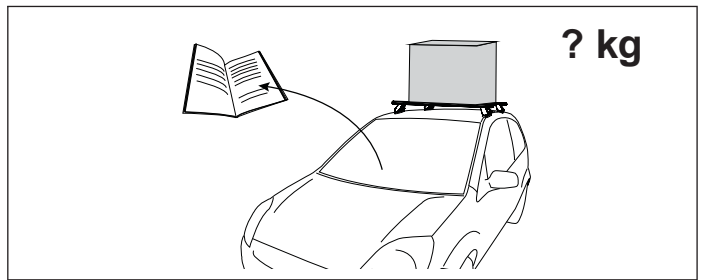
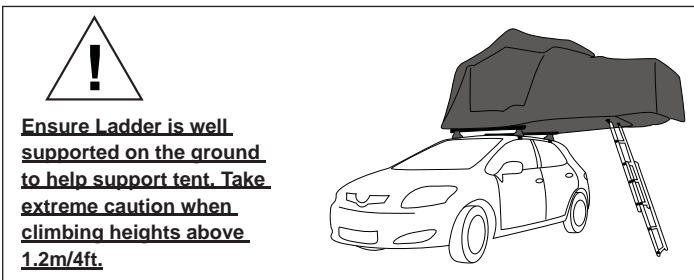
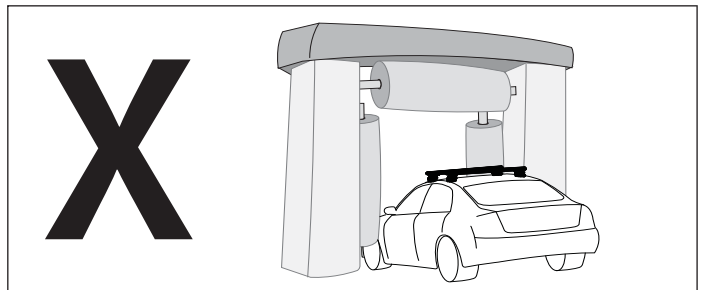
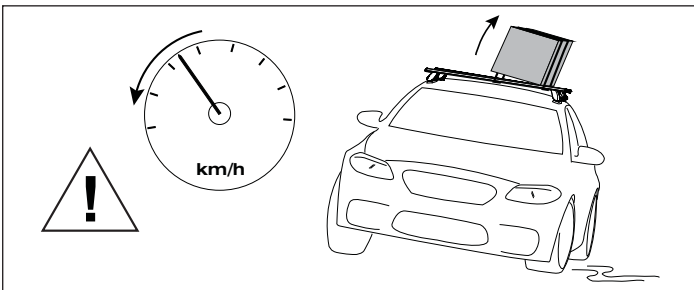
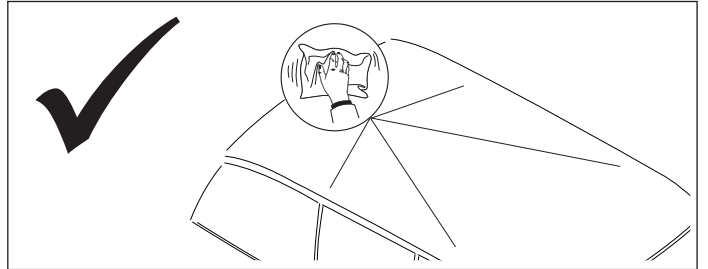
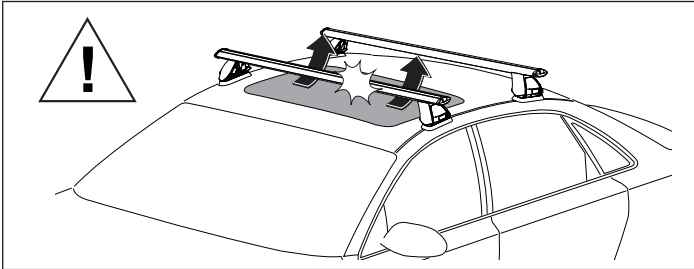
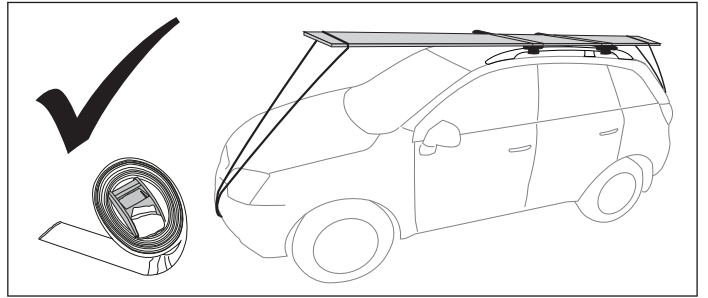
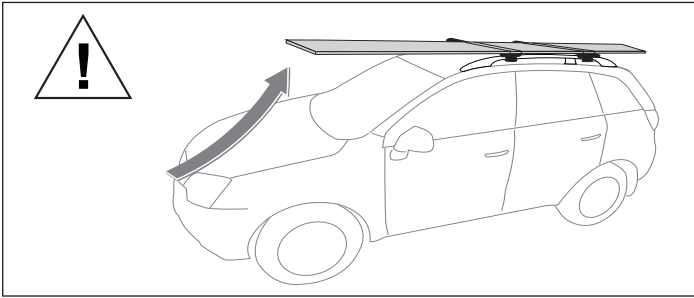
Issue No: 07

Issue Date: 21/07/2017

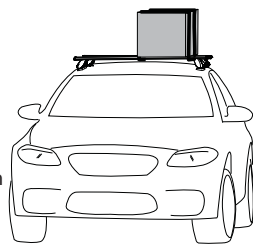
These instructions remain the property of Rhino-Rack Australia Pty. Ltd. and may not be used or changed for any other purpose than intended.



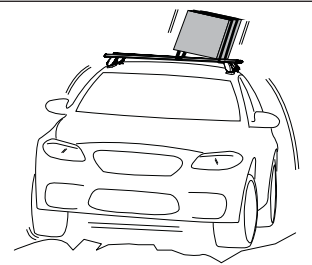
# Toyota Hilux Track Mount (RTS543)



When these roof racks are to be used on a vehicle that is driven off sealed roads, the manufacturer maximum roof load rating (to be found in the vehicles User Manual) should be **divided by 1.5**. Do not forget to subtract the complete crossbar system weight from your maximum carrying capacity.



**100kg/220lbs**  
(Urban Road) = **67kg/147lbs**  
(Off Road)



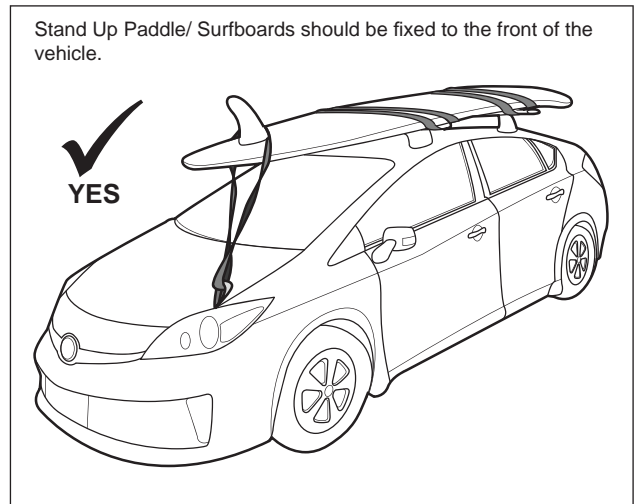
**WARNING! Important Load Carrying Instructions**

With utility vehicles, the cabin and the canopy move independently. Roof racks and vehicle can be damaged if the item transported is rigidly fixed at points on both the cabin and canopy. Instead, rigidly fix to either the cabin roof racks or the canopy roof racks.

**NO**

**YES**

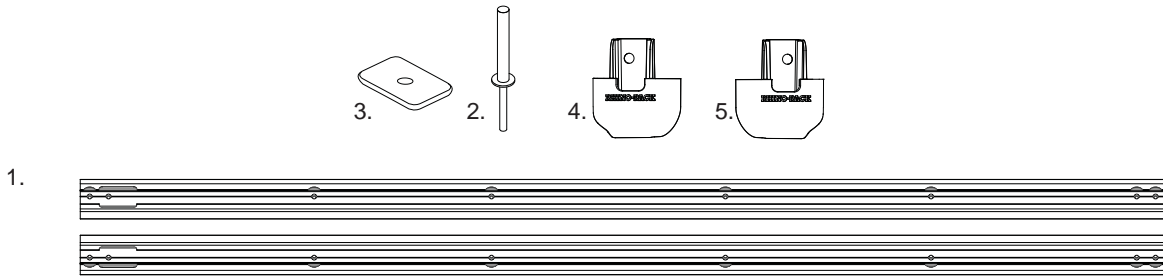
**YES**





# Toyota Hilux Track Mount (RTS543)

## Parts List



Item	RTS543 Kit	Qty	Part No.
1	Hilux 2015 Track	2	A738
2	Rivet AS 6 - 16	17	H007
3	Butyl Patch 20x11.5mm 4mm rivet hole	16	CA1556
4	End Cap FR,RL	2	M805
5	End Cap FL,RR	2	M804
7	Instructions	1	R841

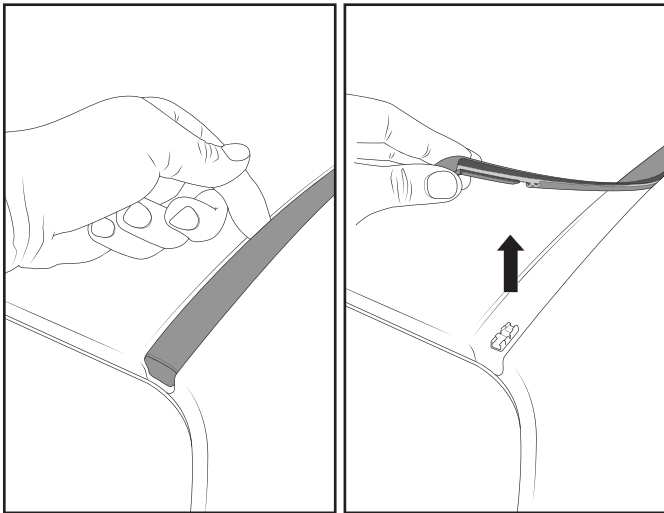
### Tools Required:

- |                   |                           |
|-------------------|---------------------------|
| 1. Measuring Tape | 5. Cold Galvanising Paint |
| 2. Drill          | 6. Cotton Buds            |
| 3. 5mm Drill Bit  | 7. Clean Cloth            |
| 4. Drill Stop     | 8. Marker                 |
|                   | 9. Vacuum Cleaner         |

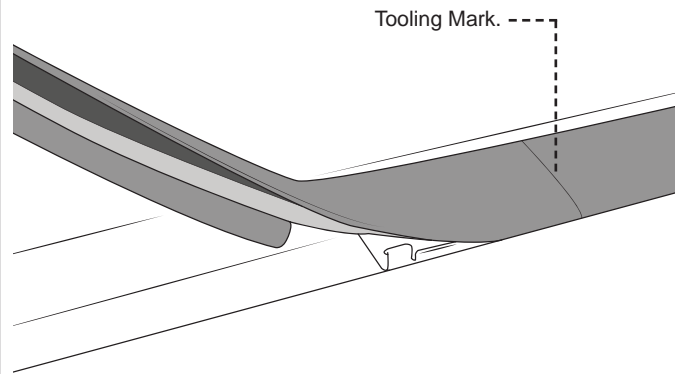
**Note: Crossbar Length: 1260mm. Leg Kit: RLT600**  
 Crossbar and Leg Kits are sold as separate. Leg Spacer kits required for front Crossbars.

## Preparing Vehicle

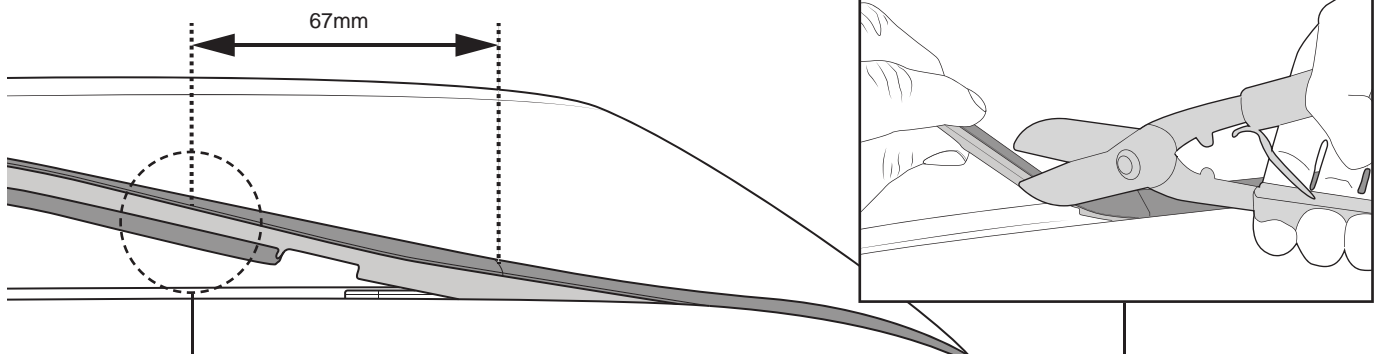
**1** Move to the roof of the vehicle. Carefully pry out the Ditch Mould with a finger near the windshield. Lift the Mould out, releasing it from the retention clip in the front.



**2** Release the Ditch Mould at the rear of the vehicle partially from the retention clip. Do not pull the Ditch Mould out past the Tooling Mark.



**3** Measure 67mm from the Tooling Mark towards the front of the vehicle create a reference point with a Marker. At this point carefully cut through the Ditch Mould. Repeat for both sides. Clean the ditch of dirt and debris with a clean cloth.

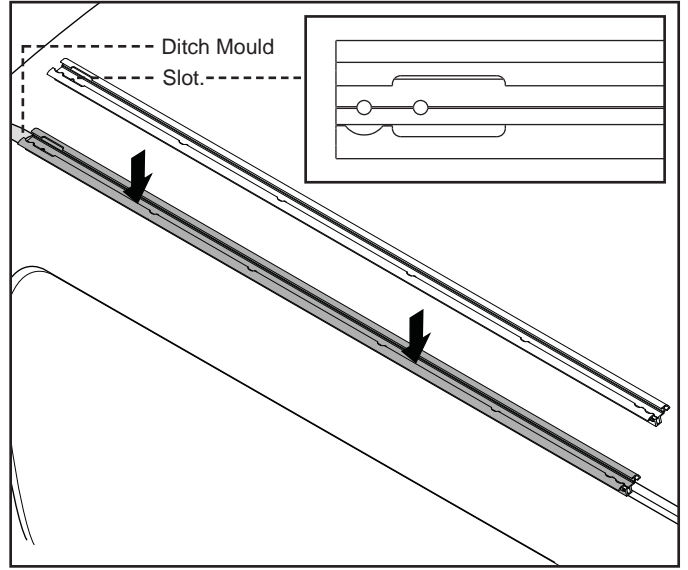
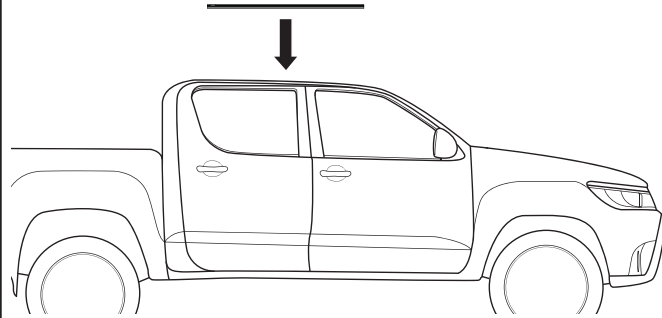
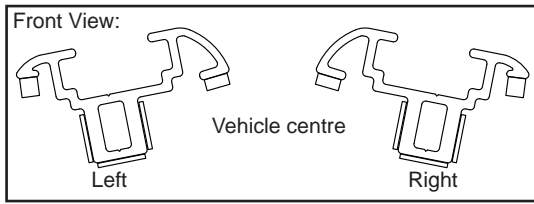




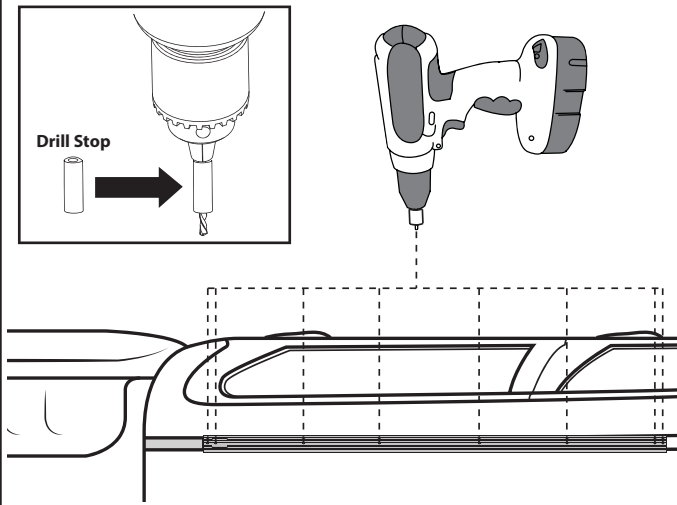
# Toyota Hilux Track Mount (RTS543)

## Instructions

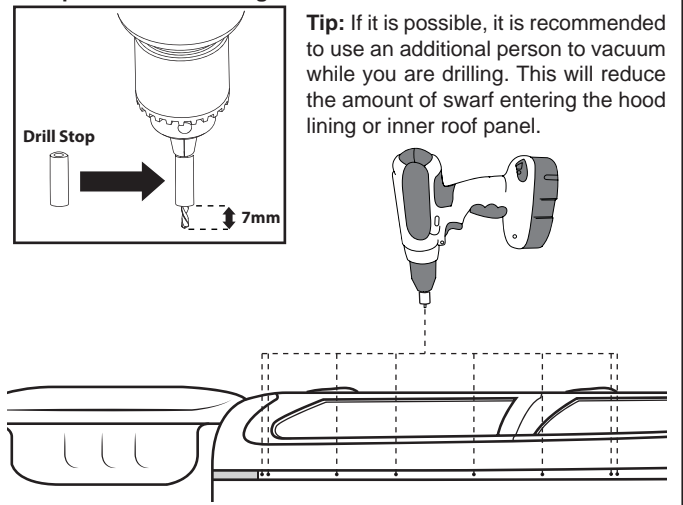
- 4** Place the Tracks into the Roof Ditch. Line the Tracks up with the previously cut sections of the Ditch Mould. The Slots in the Track are to be positioned at the rear of the vehicle. Be sure to use correct orientation.



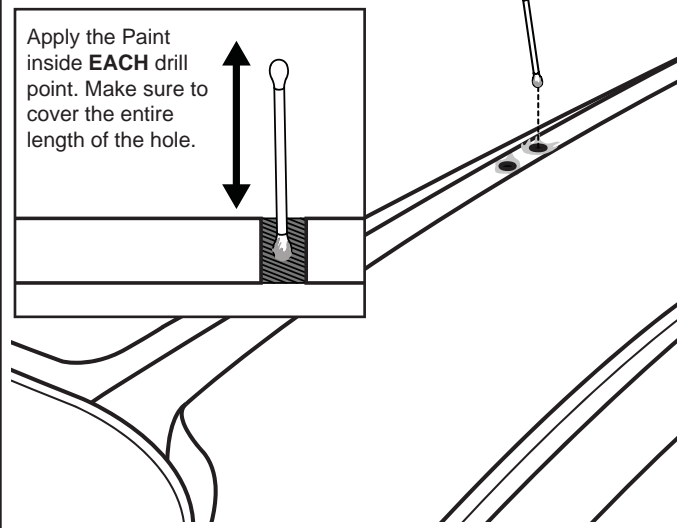
- 5** Using a 5mm Drill Bit with a Stop attached, spot mark all holes in the Track.



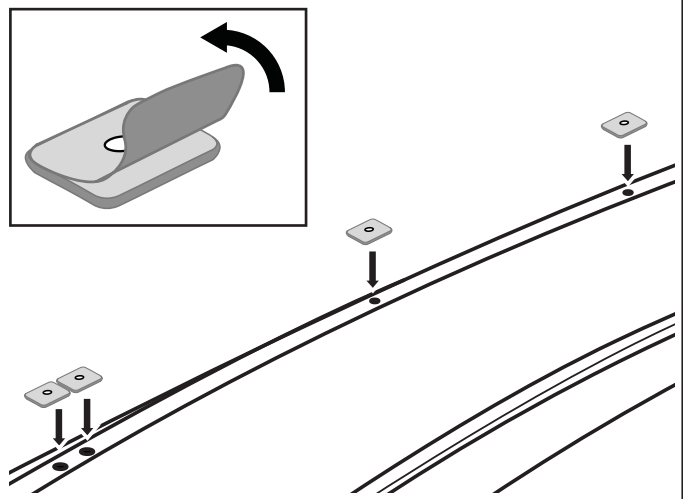
- 6** Remove the Track, Drill through the roof at all spot marks with a 5mm Drill Bit. Be sure to use a Drill Stop. **Vacuum all swarf present after drilling.**



- 7** Apply **COLD GALVANISING PAINT**. Make sure to spread around drilled hole as well as inside. Allow 10min to dry. Weather conditions may alter drying time.



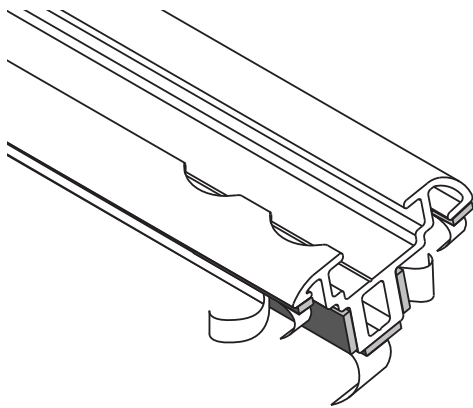
- 8** Apply Butyl Patches to **ALL** exposed threads.  
1: Remove the backing tape from the Butyl Patch.  
2: Place one patch over each exposed threaded hole. Remove the backing from top of patches.



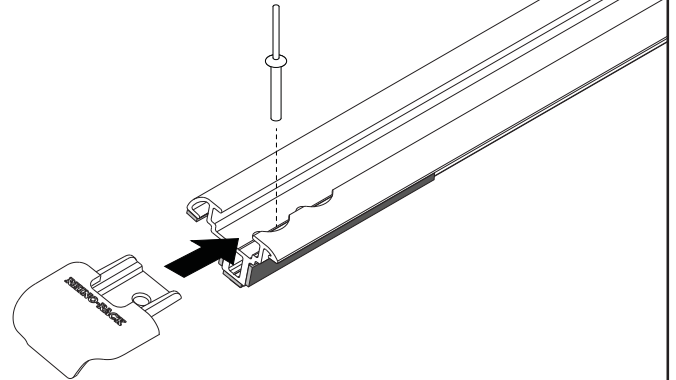


# Toyota Hilux Track Mount (RTS543)

**9** Remove the backing tape from the foam on both Tracks.



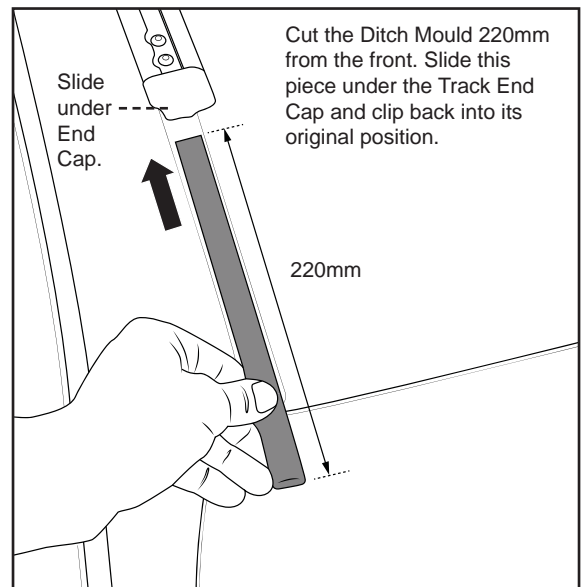
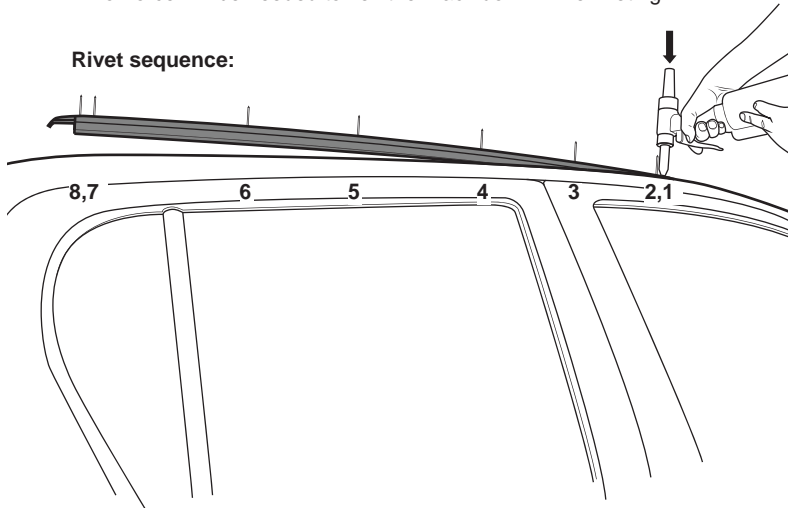
**10** Insert the End Caps into the Tracks. Hold in place with a Rivet. Insert all rivets into the Track and then move into position on the roof.



**11** Using a pneumatic rivet gun (not a small hand gun), rivet the Track into place. Make sure all Rivets are seated firmly onto the base of the track, place the Rivet Gun onto the Rivet and gentle tap on the back to ensure the rivet is seated before compressing. **Check Track alignment carefully before starting. Start at the front and move towards the rear.**

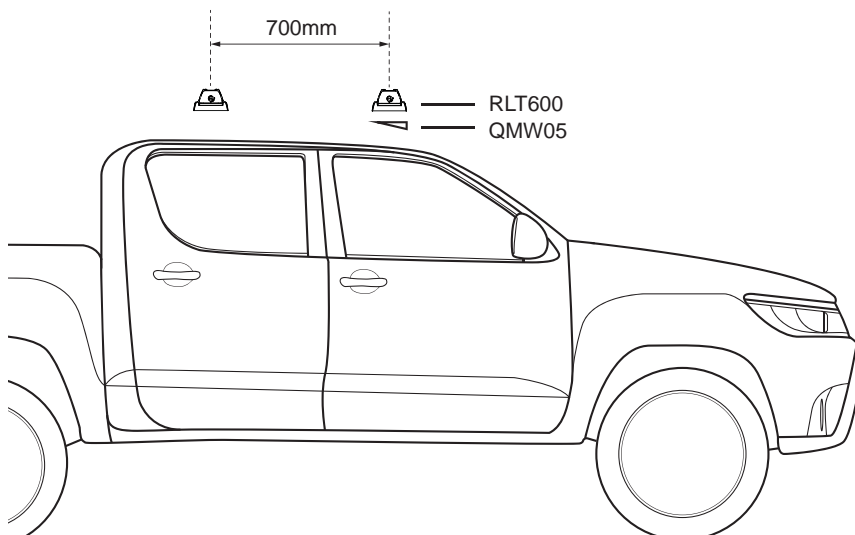
**Note:** The Track will stand high at the rear when installing from the front. Minor force will be needed to flex the Track down while riveting.

**Rivet sequence:**



## Install Crossbars as per instructions

**Note** It is recommended to space crossbars 700mm apart, it is however possible to space them up to 925mm apart.



**Note:** If it is intended to position the Crossbar at the front most section of the Track, a QMW10 may be required.

Do not position Leg over front most rivet holes.

