



RHINO-RACK

CONTROLLED

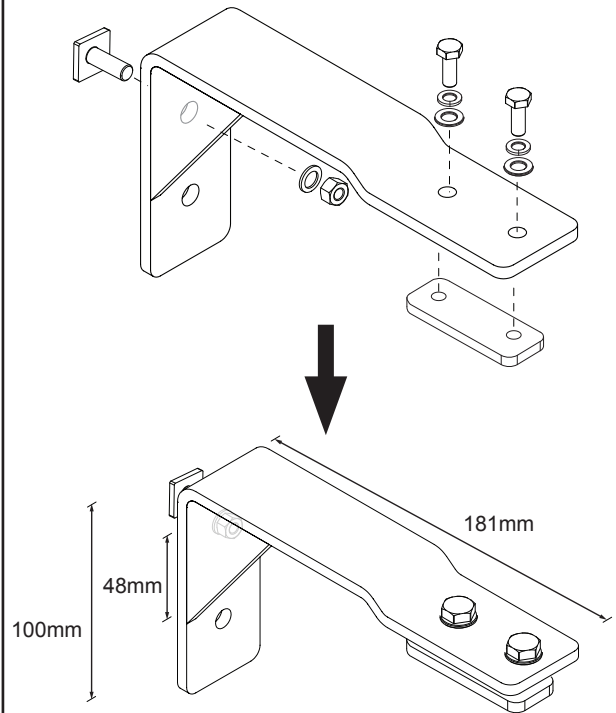
Sunseeker Awning RSP/RS/SG Bracket 32127

Place these instructions in the vehicle's glove box after installation is complete.

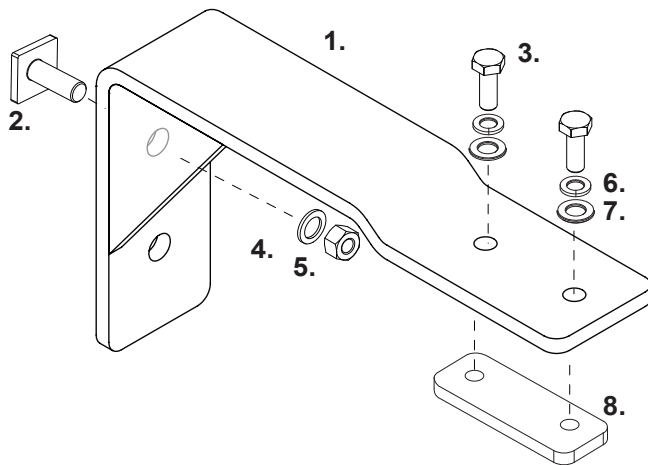
Item	Component Name	Qty	Part No.
1	Sunseeker Awning Bracket	2	CA1417
2	M8 x 16 T-Bolt	2	B018
3	M6 x 16 Hex Bolt	4	B168
4	M8 Flat Washer	2	W020
5	M8 Nyloc Nut	2	N028
6	M6 Spring Washer	4	W004
7	M6 Flat Washer	4	W003
8	Plate Nut	2	C838
9	Fitting Instruction	1	R666

Instructions

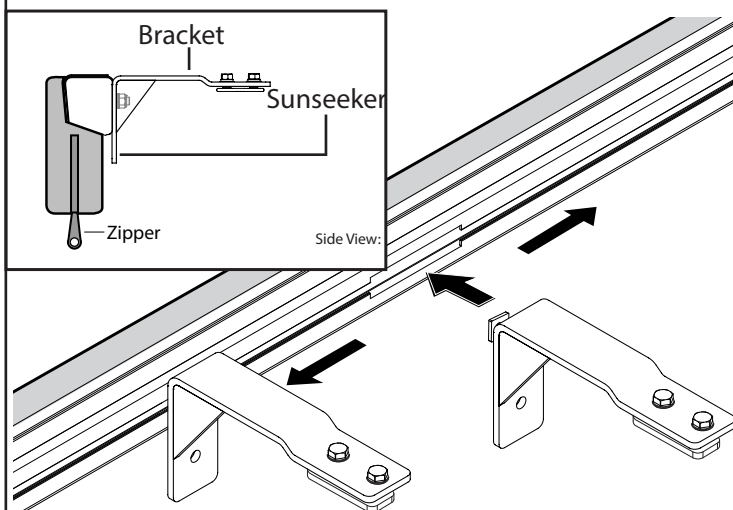
1 Install hardware as shown. Finger tighten.



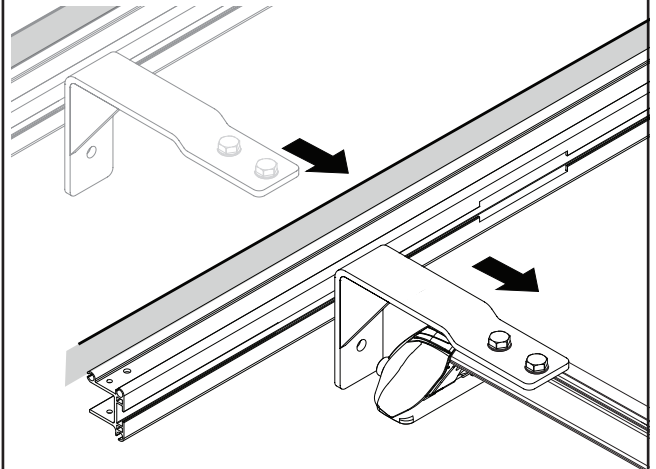
Tools Required: 13mm Socket Wrench



2 Insert the bracket assemblies into the Sunseeker as shown.



3 Slide the brackets into the C channel of the crossbar using the installed T-Bolts. Tighten with a 13mm socket wrench. Check all fixtures are secure before driving.



Rhino-Rack
3 Pike Street, Rydalmere,
NSW 2116, Australia.
(Ph) (02) 9638 4744
(Fax) (02) 9638 4822

Document No: R666
Prepared By: Will Davis
Authorised By: Chris Murty

Issue No: 01
Issue Date: 30/04/2015

These instructions remain the property of Rhino-Rack Australia Pty. Ltd. and may not be used or changed for any other purpose than intended.