



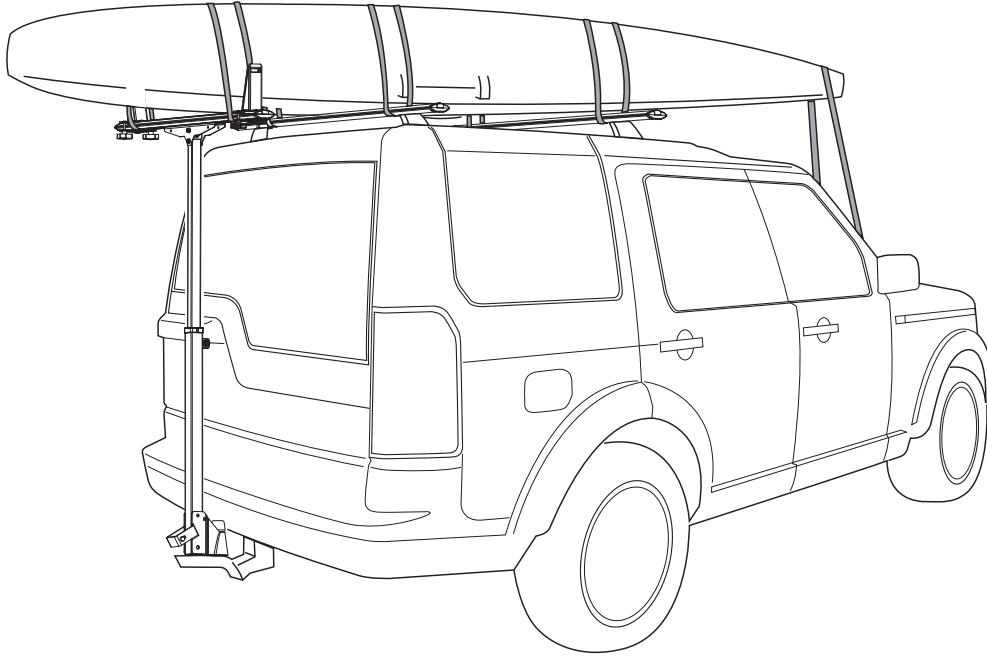
# RHINO-RACK

Aerodynamic & Heavy Duty Roof Rack Systems

## Rhino-Rack Kayak T-Load Tow Ball Mount (RTL001)

**Important:** Please read these instructions carefully prior to installation. Please refer to your fitting instruction to ensure that the roof racks are installed in the correct locations. Check the contents of kit before commencing fitment and report any discrepancies. Place these instructions in the vehicle's glove box after installation is complete.

### Layout



### Important Information

**Maximum carrying capacity: 60kg (132lbs)**

Please refer to your vehicle manufacturers handbook for maximum carrying capacity of your roof racks. Always use the lower of the two figures. Load must be evenly distributed over the crossbars.

**Warning:** Do not attempt to fit the T-load to your vehicle unless you fully understand this fitting instructions. Please direct any questions regarding fitting to the dealer from where the T-load was purchased.

**Use only non-stretch fastening ropes or straps.**

**Recommendations:**

It is essential that all bolt connections be checked after driving a short distance when you first install your roof racks and T-load. Bolt connections should be checked again at regular intervals (once a week is enough, depending on road conditions, usage, loads and distances travelled). You should also check the roof racks and T-Load each time they are re-fitted. Always make sure to fasten your load securely. Please also ensure that all loads are evenly distributed and that the centre of gravity is kept as low as possible. Long loads (e.g. canoes and kayaks) must be secured front and rear with non-stretch fastening ropes or straps.

**Roof racks must be removed when putting vehicle through an automatic car wash.**

**Caution:** The handling characteristics of the vehicle changes when you transport a load on the roof. For safety reasons we recommend you exercise extreme care when transporting wind-resistant loads. Special consideration must be taken into account when cornering and braking.

**Note for Dealers and Fitters:**

It is your responsibility to ensure these fitting instructions are given to the end user or client.

Rhino-Rack  
3 Pike Street, Rydalmere,  
NSW 2116, Australia.  
(Ph) (02) 9638 4744  
(Fax) (02) 9638 4822

Document No: R069  
Prepared By: Andy Wana  
Authorised By: Chris Murty

Issue No: 02  
Issue Date: 04/08/2011

These instructions remain the property of Rhino-Rack Australia Pty Ltd and may not be used or changed for any other purpose than intended.



# Rhino-Rack Kayak T-Load Tow Ball Mount (RTL001)

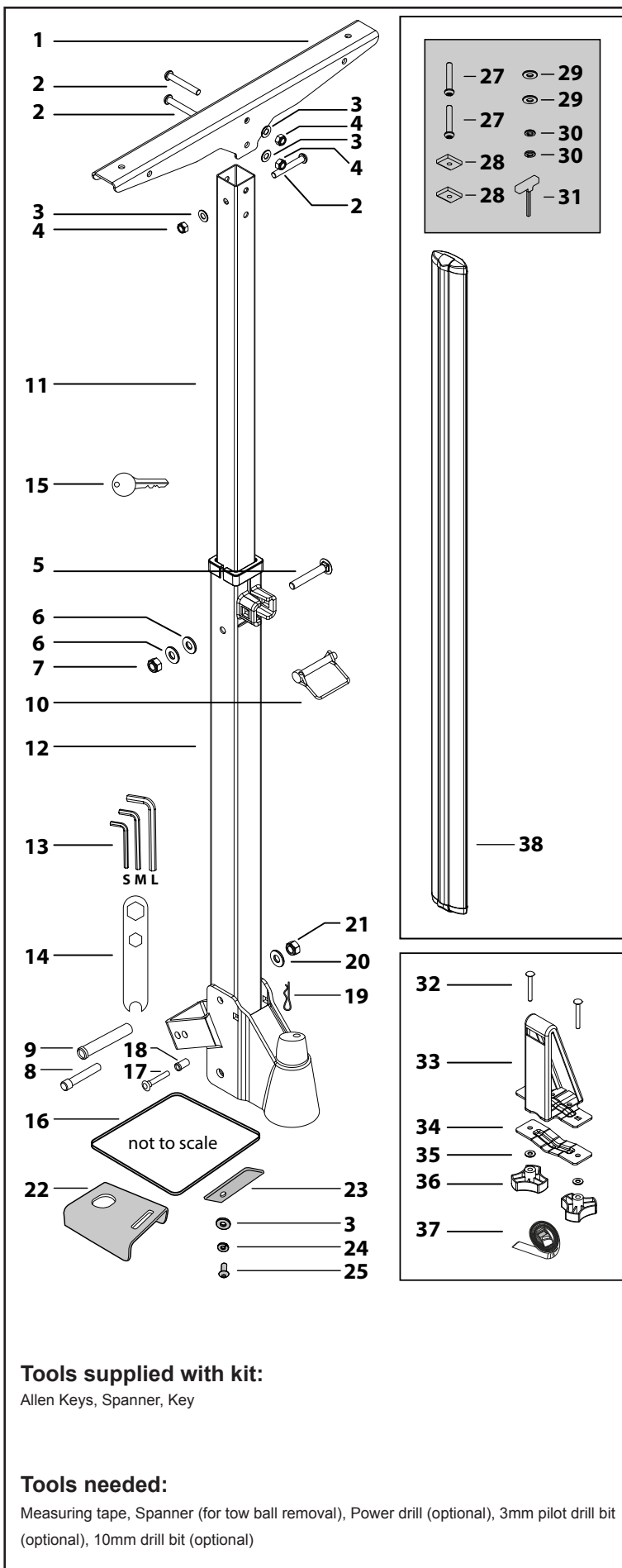
## Parts List

Item	Component Name	Qty
1	Main Support	1
2	M8 Button Head Cap Screw Bolt	3
3	M8 Flat Washer	7
4	M8 Nut	3
5	M12 Button Head Cap Screw Bolt	1
6	M12 Flat Washer	2
7	M12 Nut	1
8	M10 HT Cap Screw	1
9	10mm x 55mm Rubber Sleeve	1
10	Locking Pin	1
11	Top Tube	1
12	Bottom Tube	1
13	Allen Key Set (Small, Med, Large)	3
14	Spanner	1
15	Key	1
16	Protective Mat	1
17	Back Stop Pin	1
18	8mm x 30mm Rubber Sleeve	1
19	Back Stop R Clip	1
20	M10 Flat Washer	1
21	M10 Nut	1
22	Anti Swivel Plate	1
23	Anti Swivel Tongue	1
24	M8 Spring Washer	1
25	M8 Security Bolt Short	1
26	Fitting Instruction	1

Crossbar Fitting Kit		
Item	Component Name	Qty
27	M6 x 32mm Security Screw (Aero)	2
28	M6 Flat Nut (Aero)	2
29	M6 x 16mm Flat Washer	2
30	M6 Spring Washer	2
31	Security Key Short	1

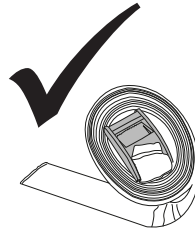
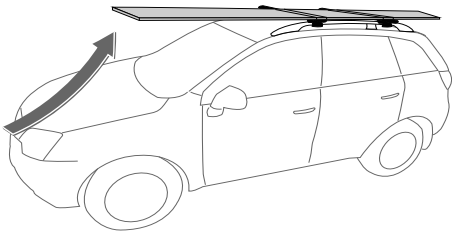
RTLK		
Item	Component Name	Qty
32	Cup Head Square Neck Bolt	4
33	Upper Clamp	2
34	Universal Clamp	2
35	M6 Flat Washer	4
36	Dial	4
37	Strap	1

Crossbar		
Item	Component Name	Qty
38	Aero Crossbar	1





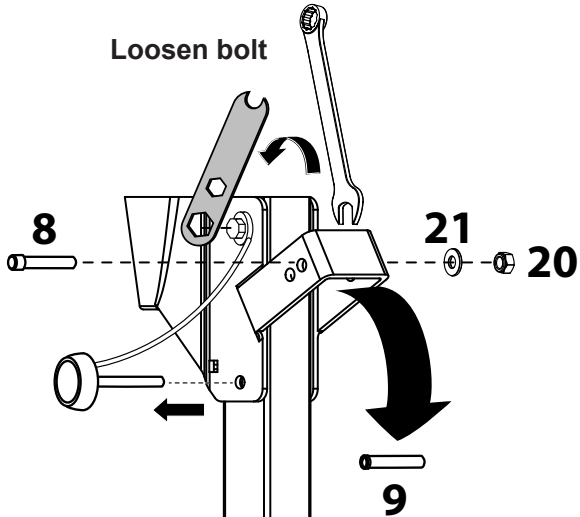
# Rhino-Rack Kayak T-Load Tow Ball Mount (RTL001)



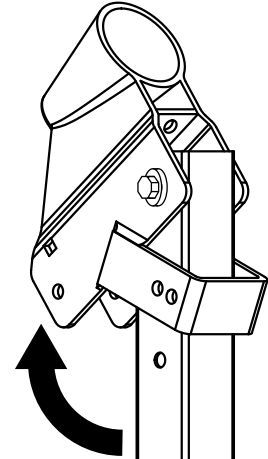
Extra straps sold separately

1

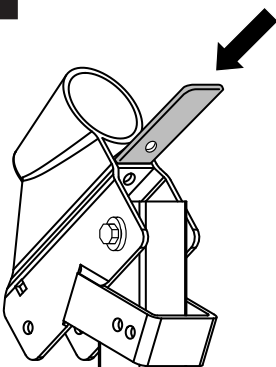
Loosen bolt



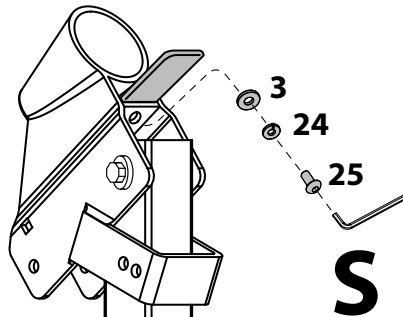
2



3

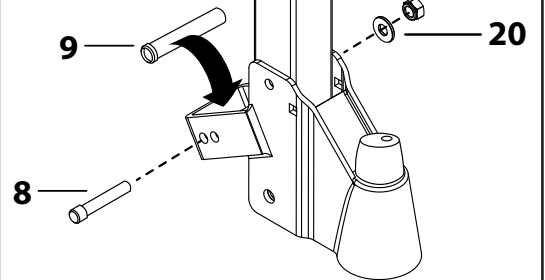


4

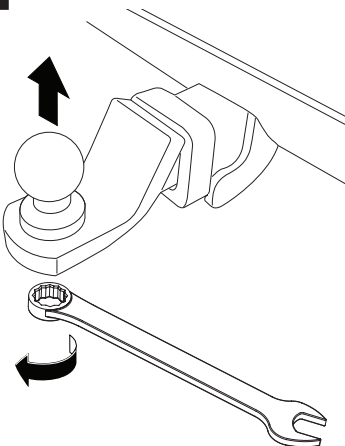


5

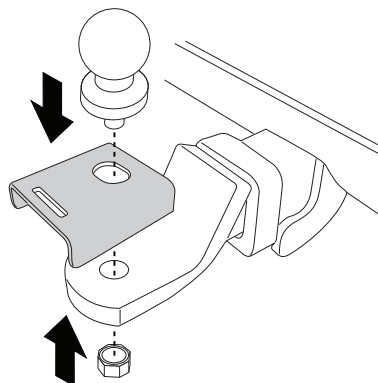
See step 30  
for angle  
adjustment



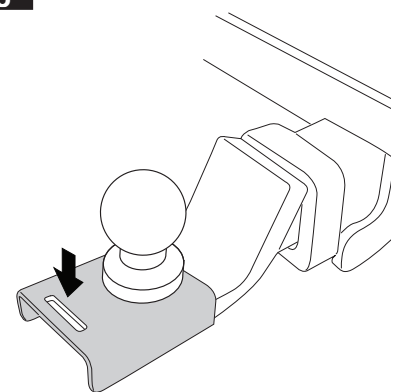
6



7

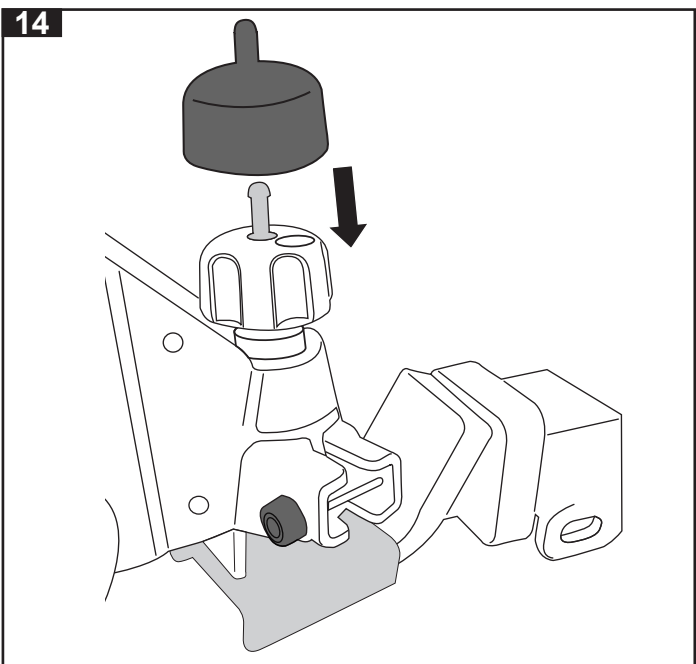
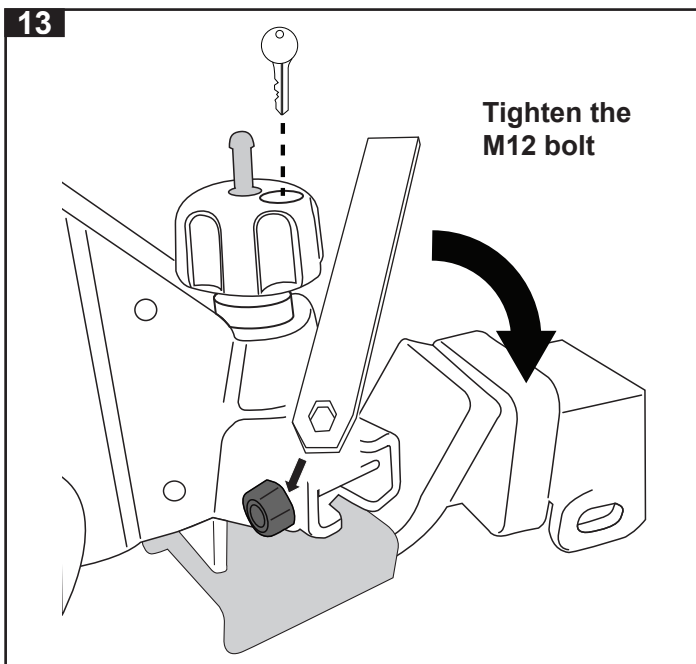
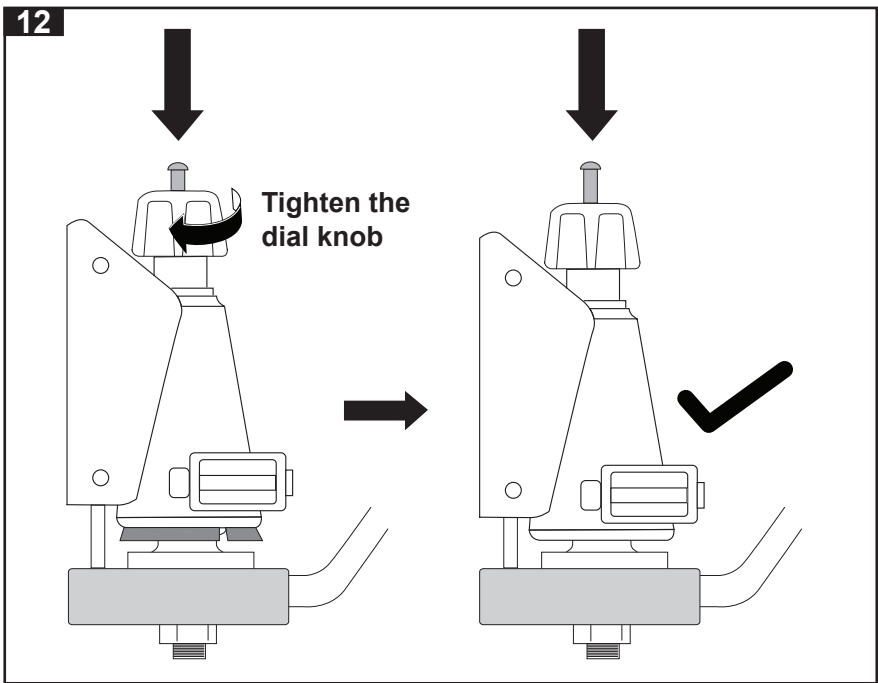
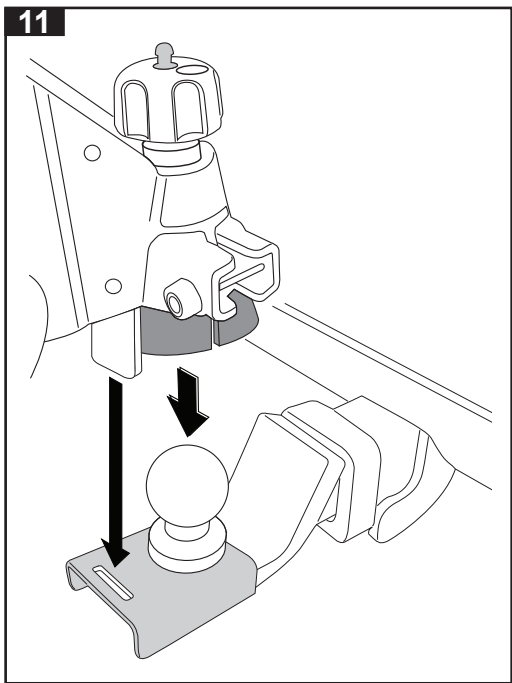
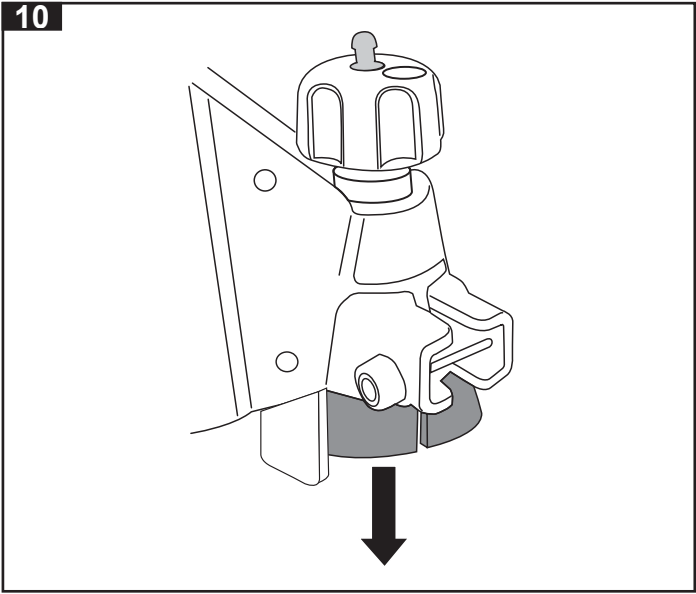
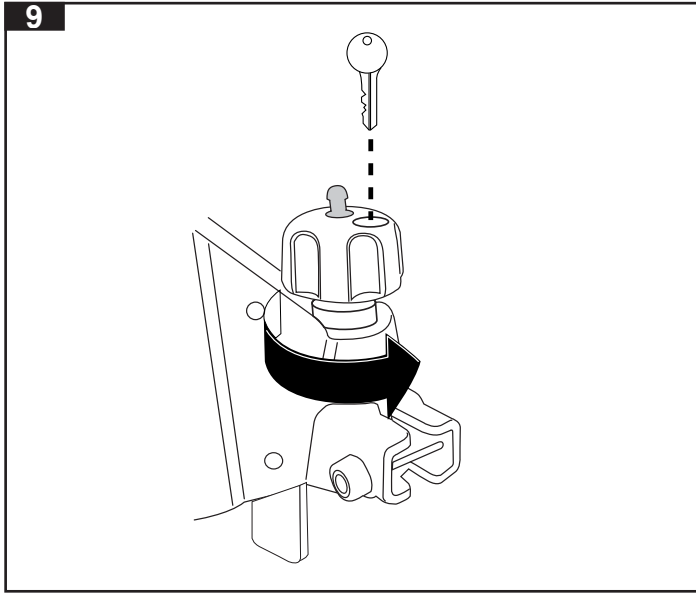


8





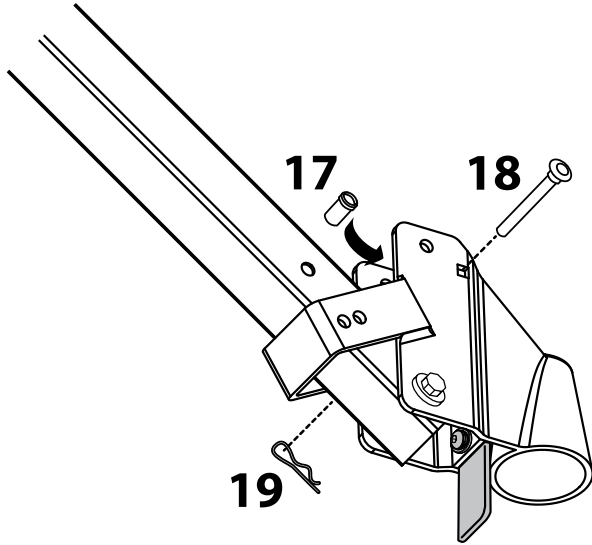
# Rhino-Rack Kayak T-Load Tow Ball Mount (RTL001)



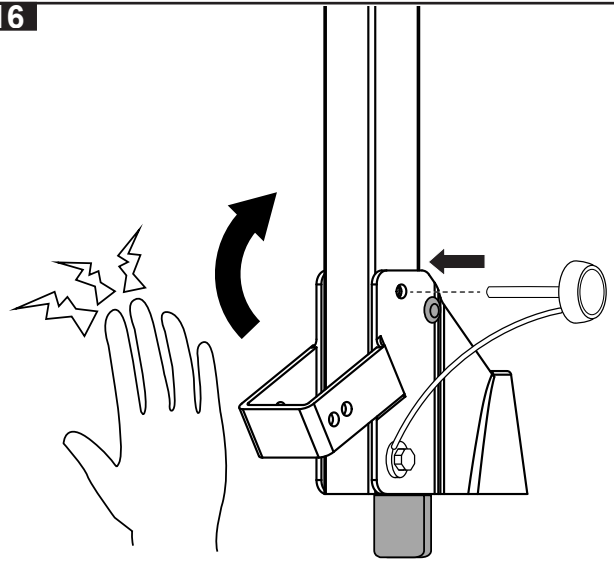


# Rhino-Rack Kayak T-Load Tow Ball Mount (RTL001)

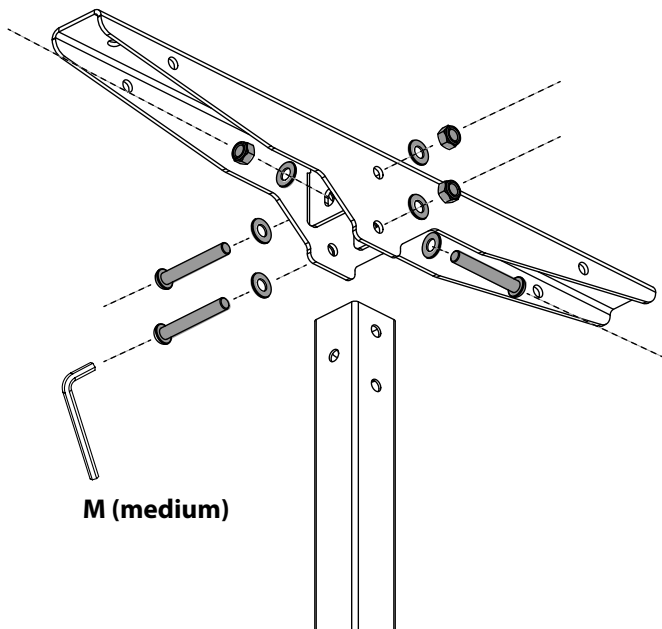
15



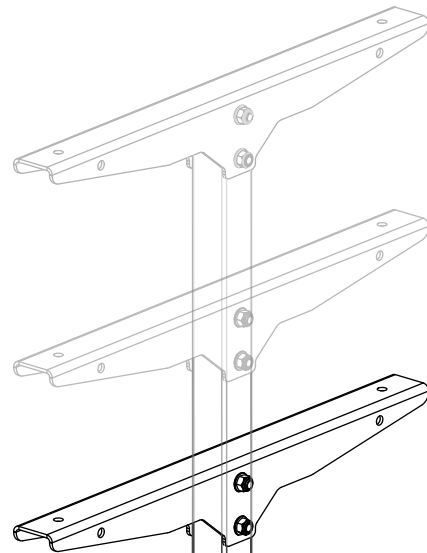
16



17

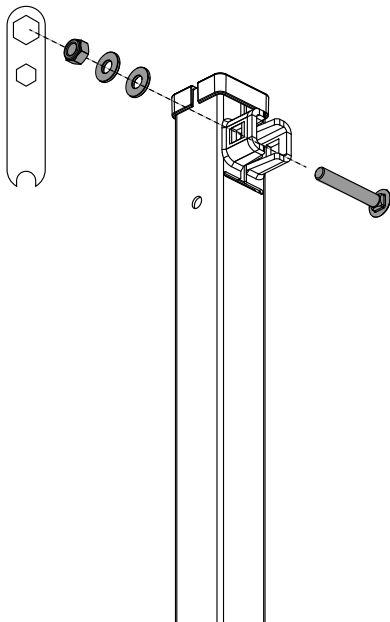


19



MIN : 950mm  
MAX : 1540mm  
Adjust to suit  
vehicle's height

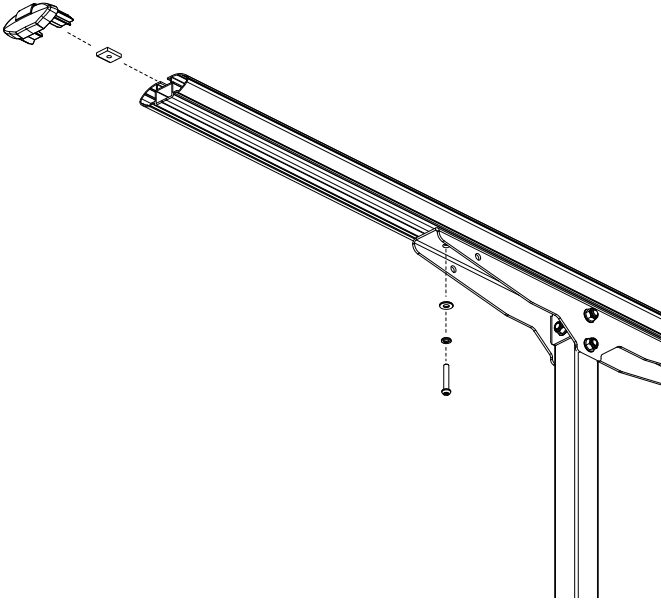
18



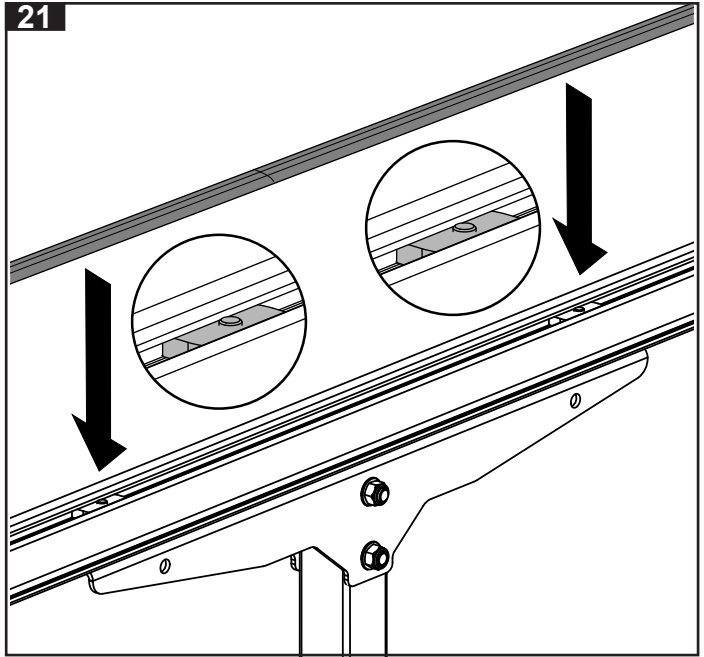


# Rhino-Rack Kayak T-Load Tow Ball Mount (RTL001)

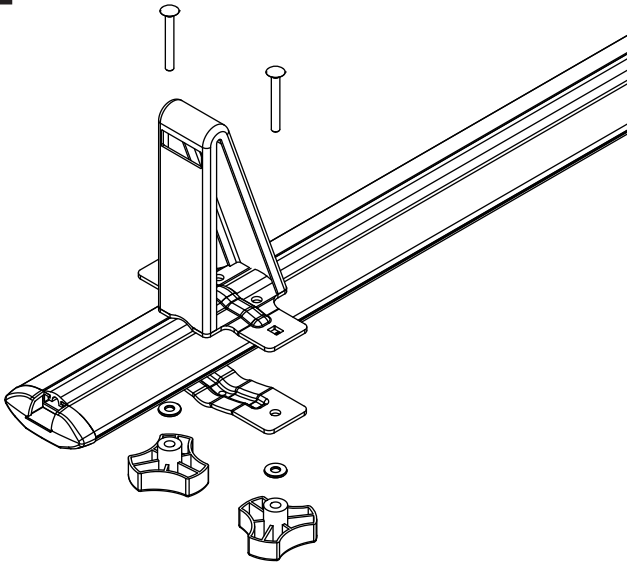
20



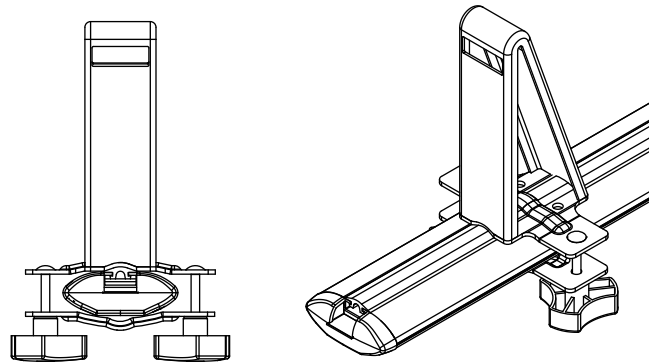
21



22



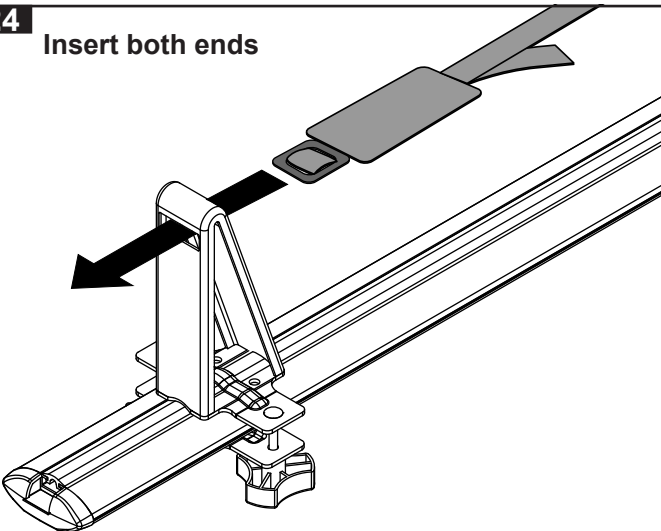
23



**Do not overtighten**  
Overtightening may cause deformation  
of the universal clamp

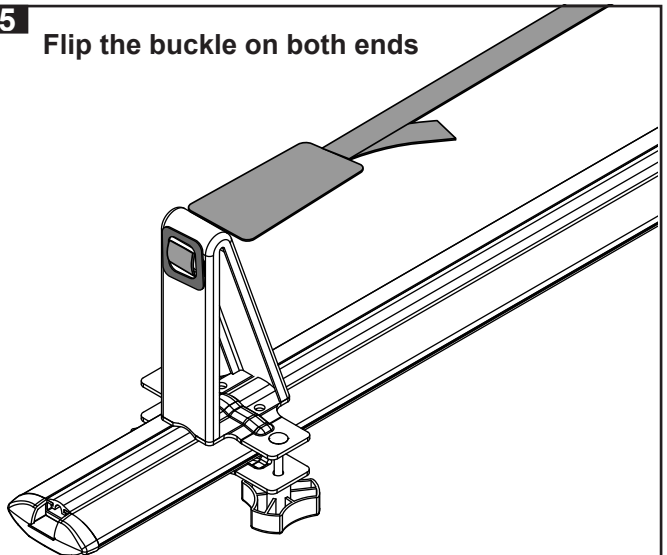
24

**Insert both ends**



25

**Flip the buckle on both ends**

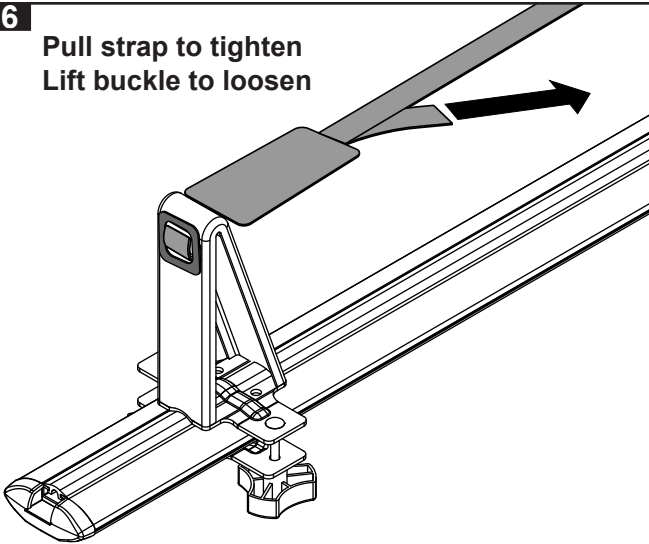




## Rhino-Rack Kayak T-Load Tow Ball Mount (RTL001)

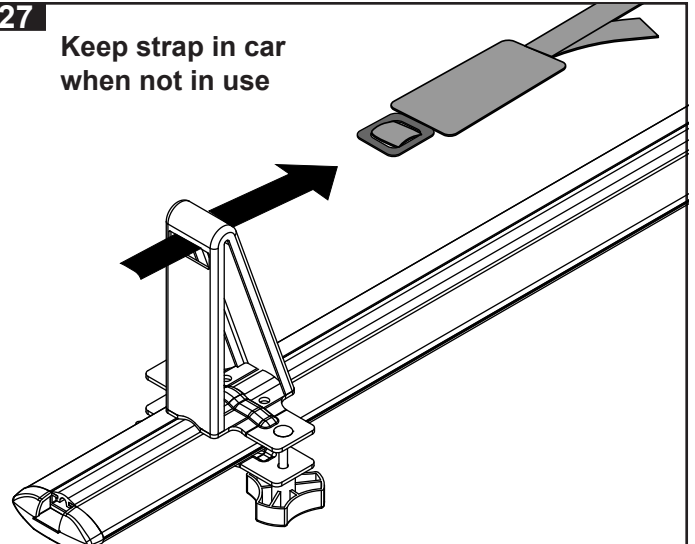
26

Pull strap to tighten  
Lift buckle to loosen



27

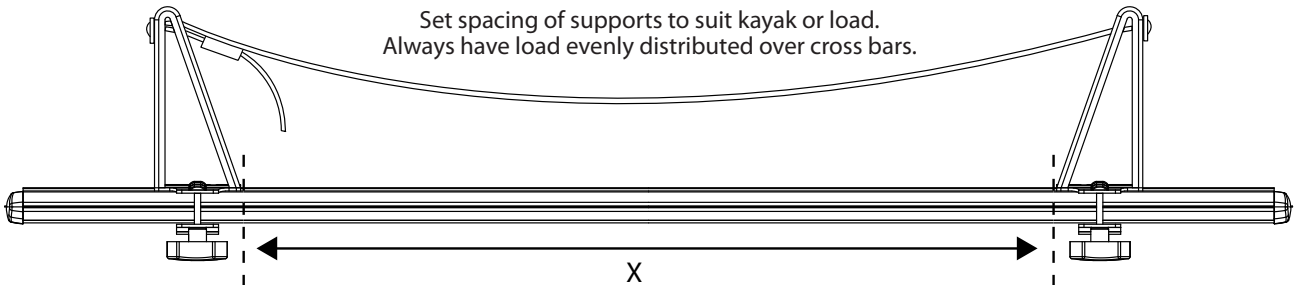
Keep strap in car  
when not in use



28

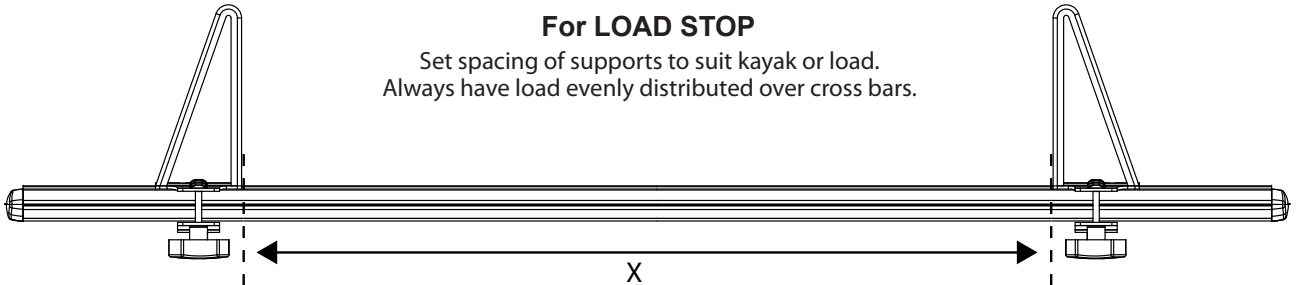
### For KAYAKS / CANOES

Set spacing of supports to suit kayak or load.  
Always have load evenly distributed over cross bars.

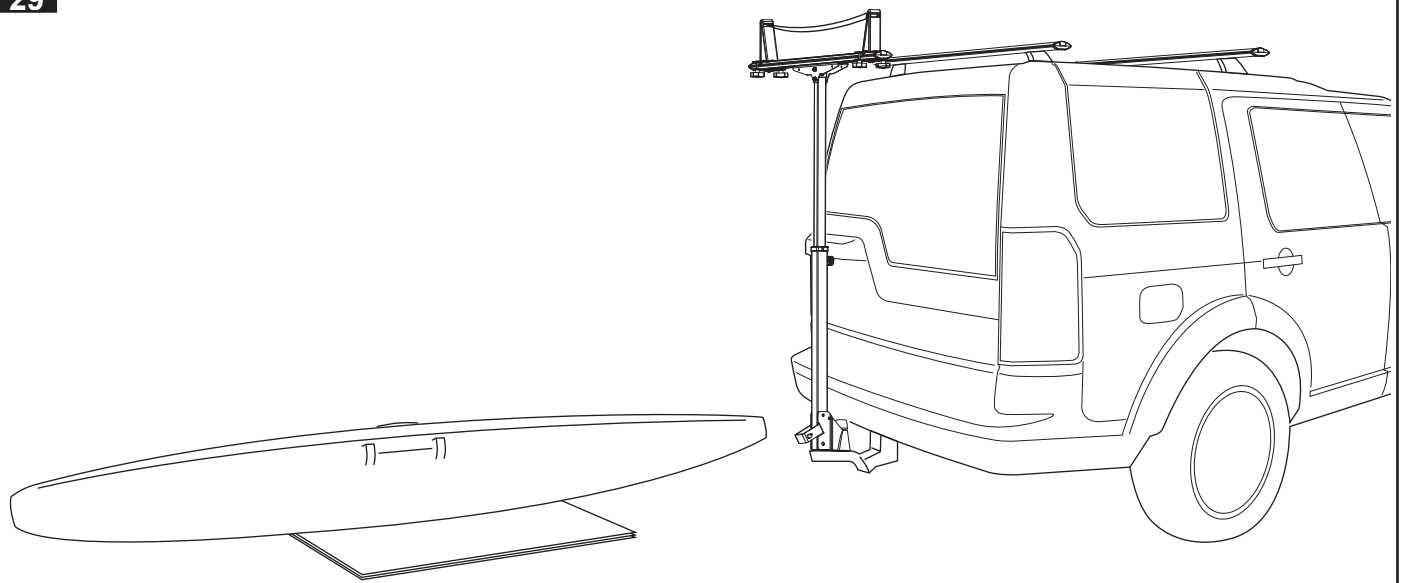


### For LOAD STOP

Set spacing of supports to suit kayak or load.  
Always have load evenly distributed over cross bars.

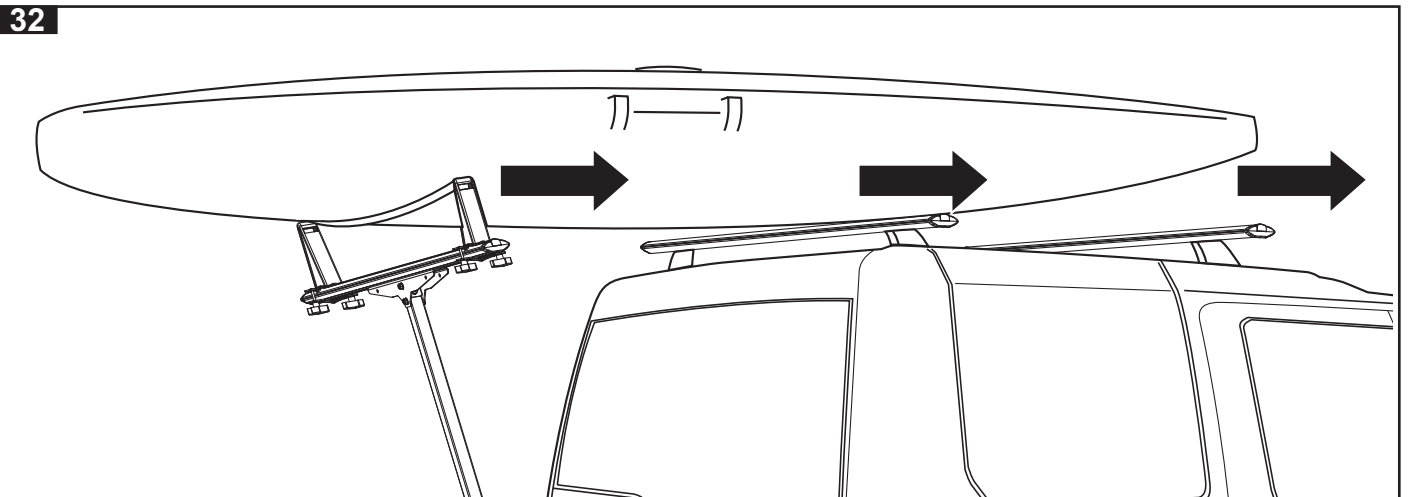
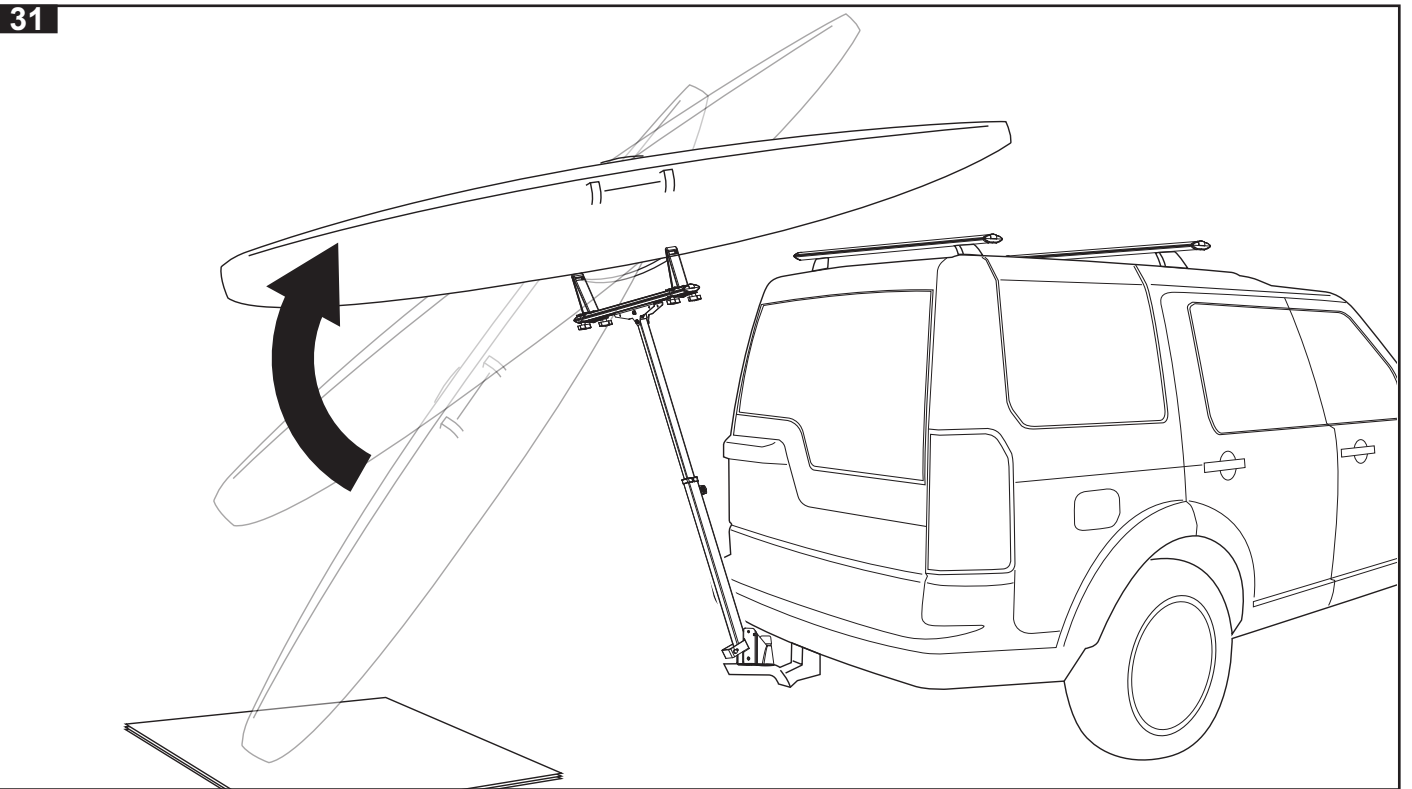
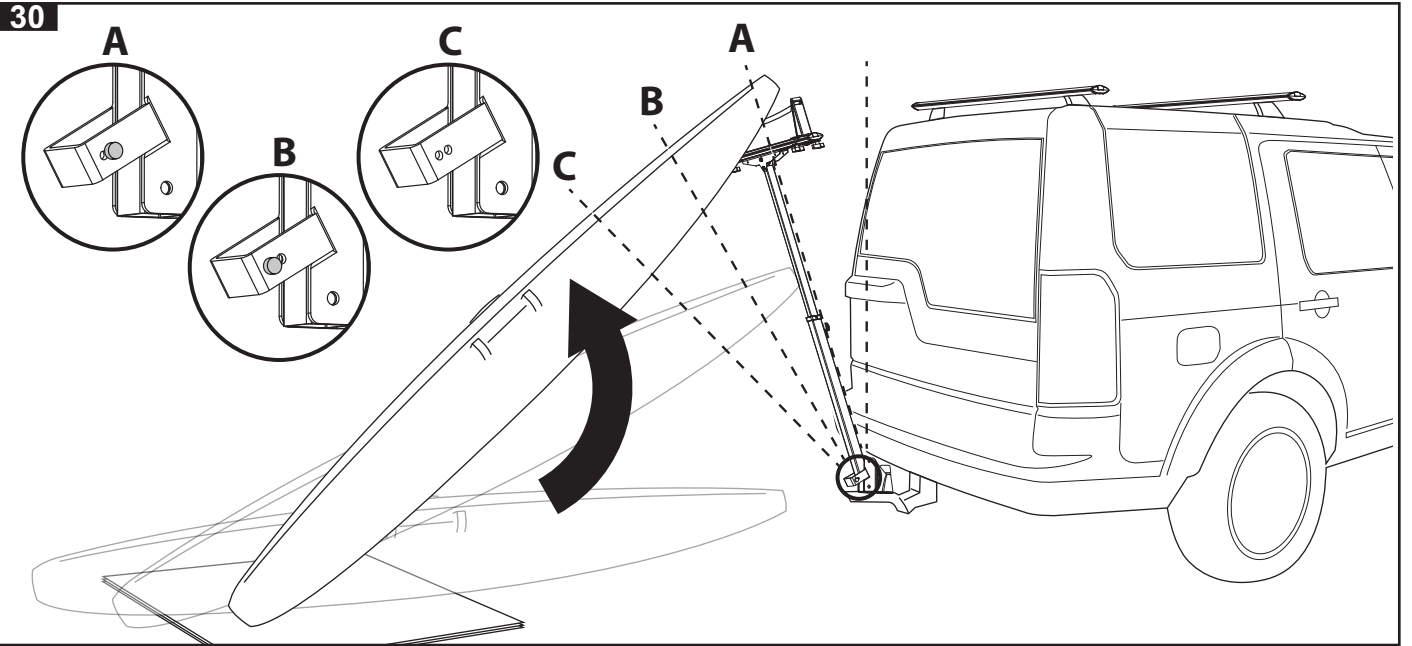


29





# Rhino-Rack Kayak T-Load Tow Ball Mount (RTL001)

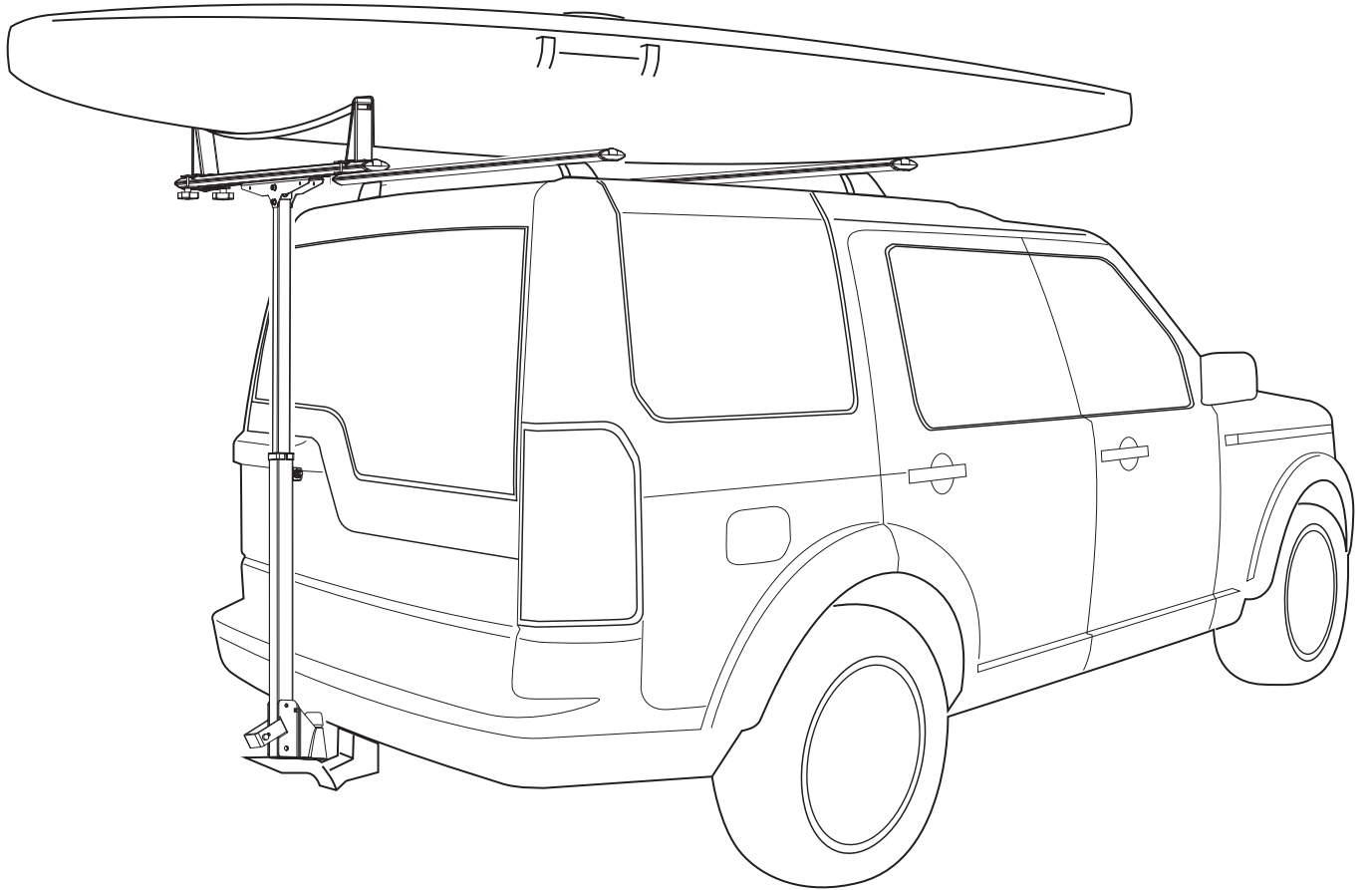






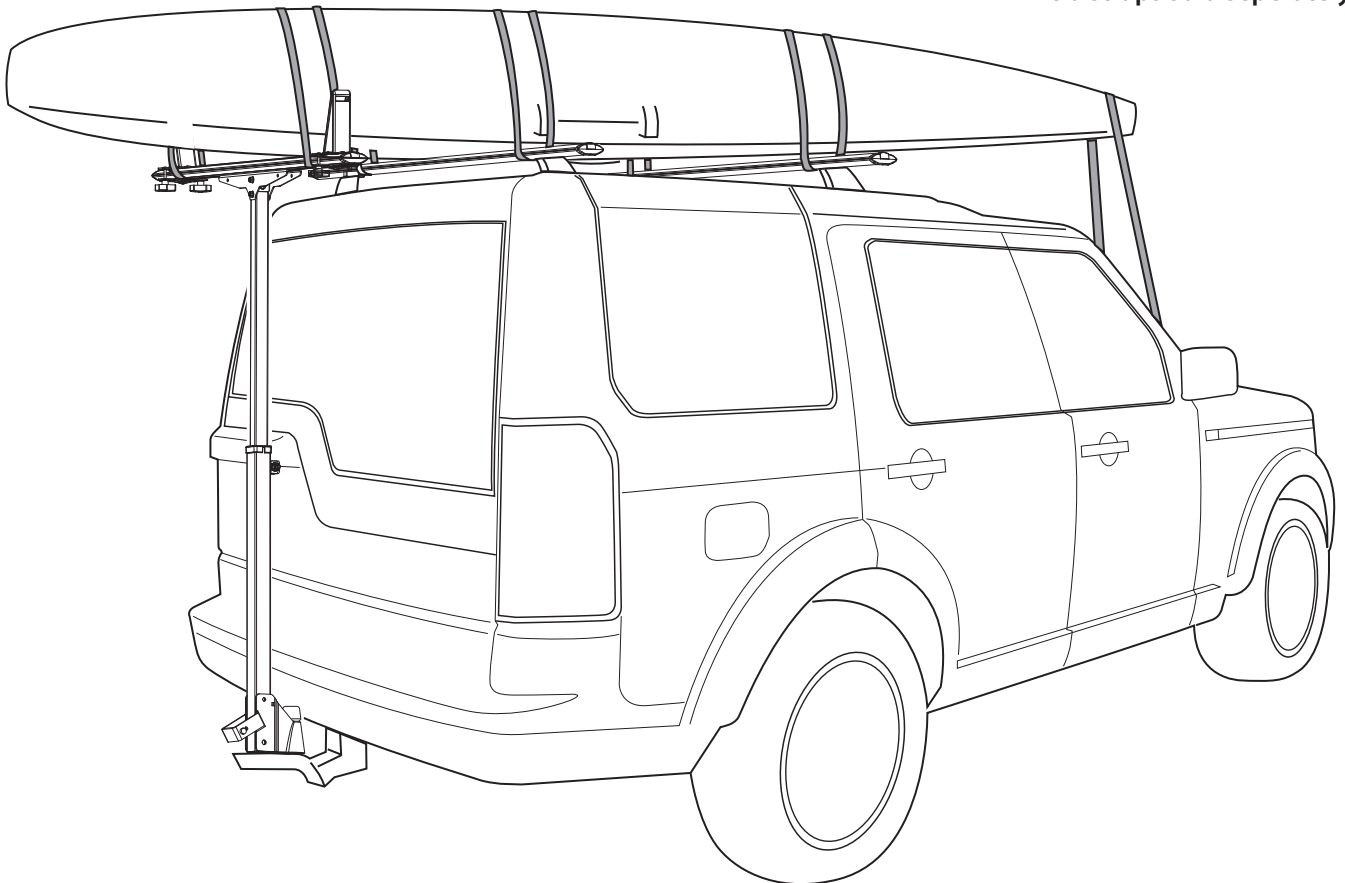
## Rhino-Rack Kayak T-Load Tow Ball Mount (RTL001)

33



34

Extra straps sold separately

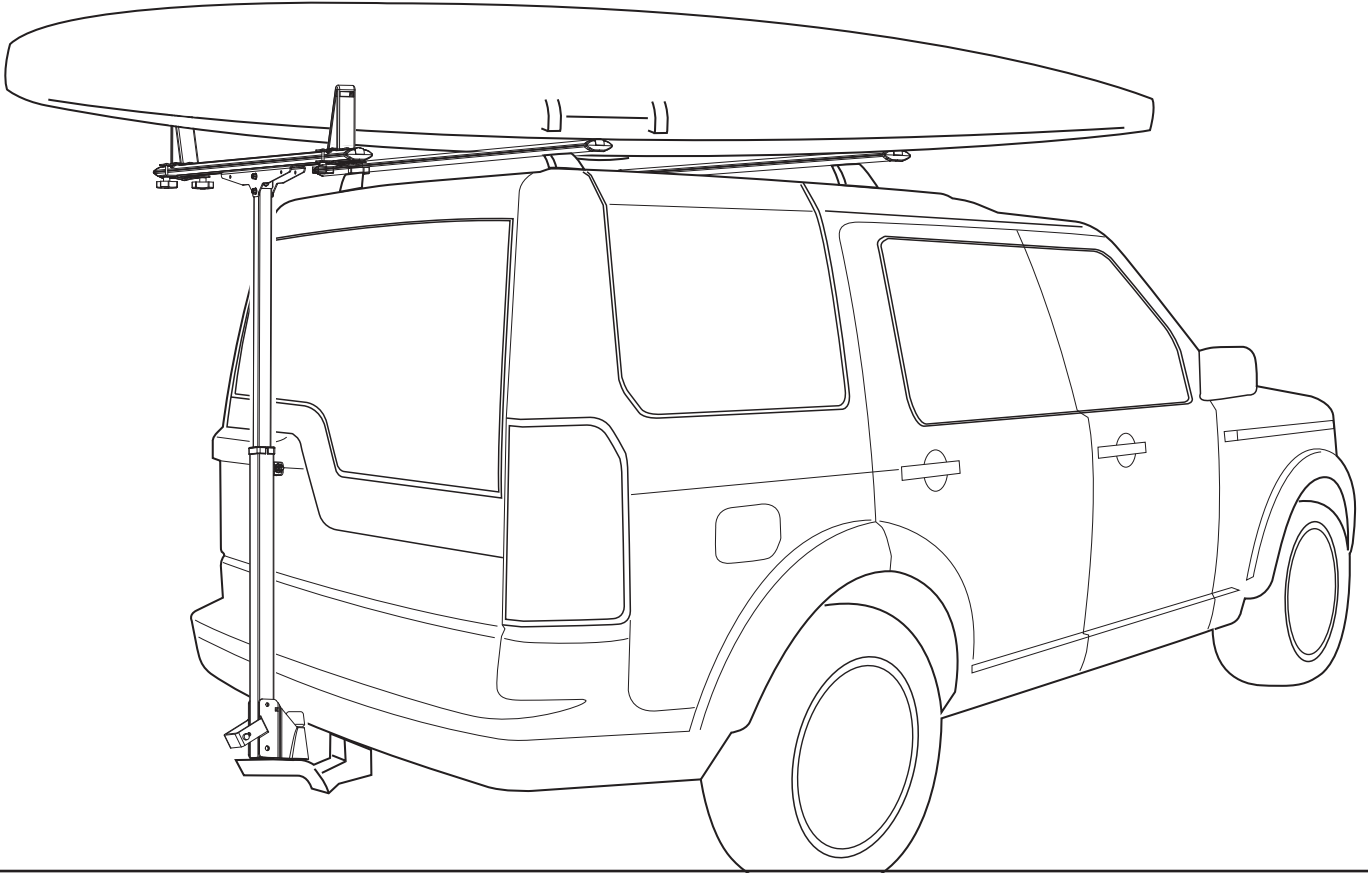




## Rhino-Rack Kayak T-Load Tow Ball Mount (RTL001)

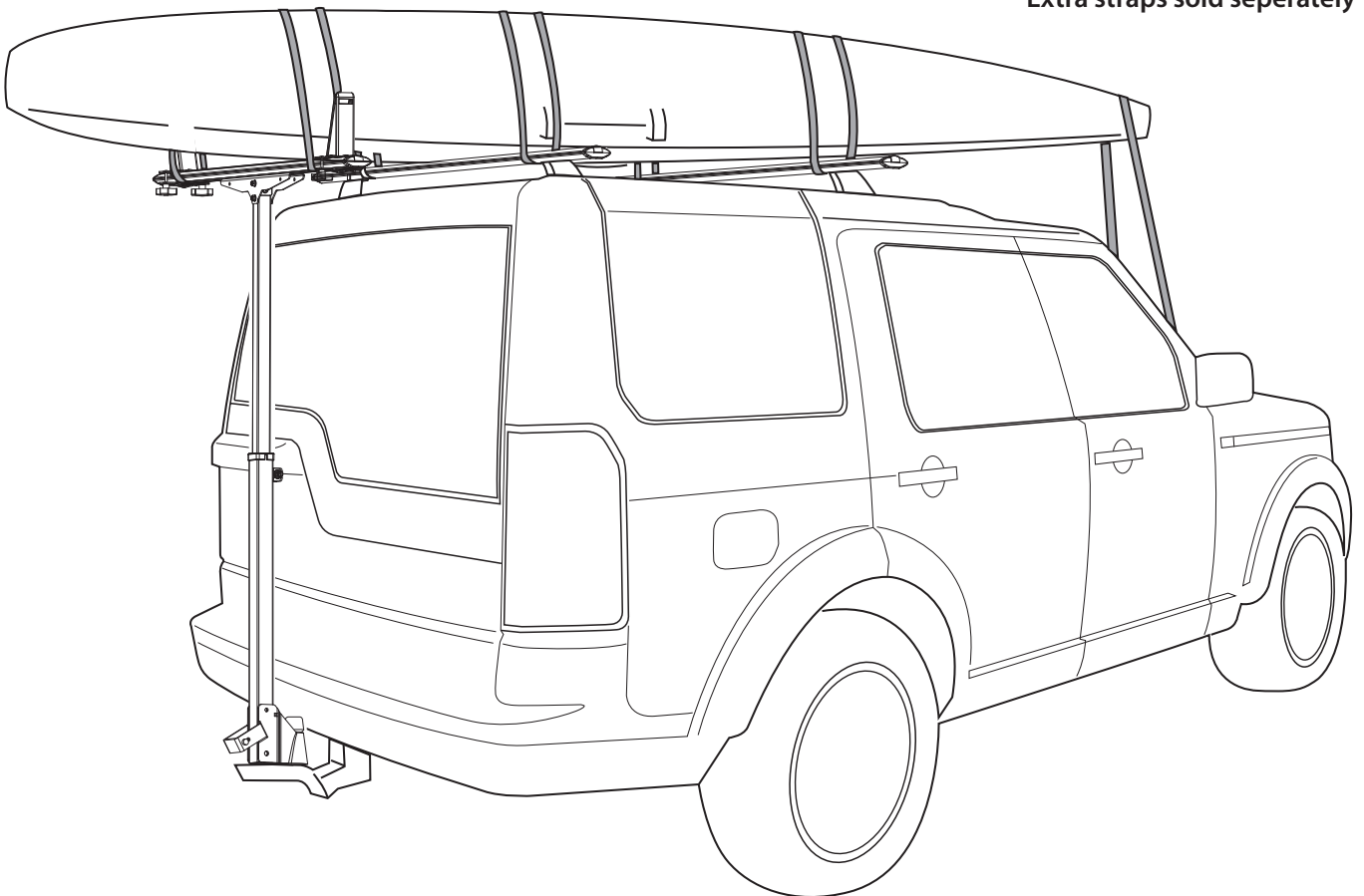
**35**

How to load with the gunwale facing down:



**36**

Extra straps sold seperately

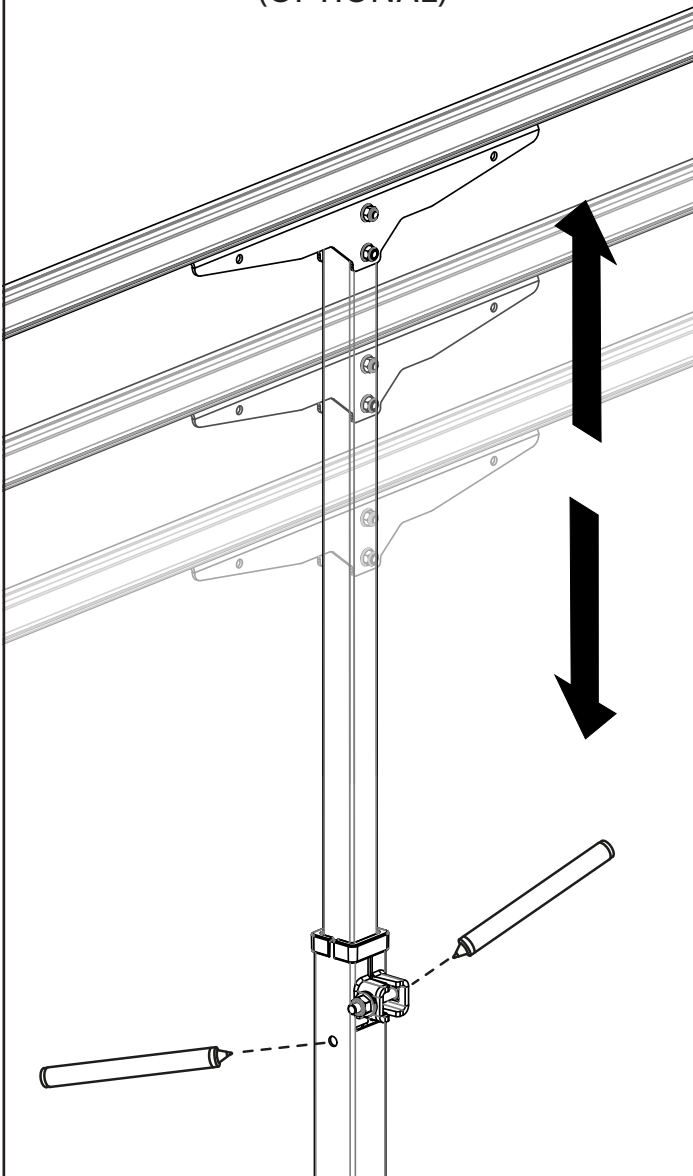




# Rhino-Rack Kayak T-Load Tow Ball Mount (RTL001)

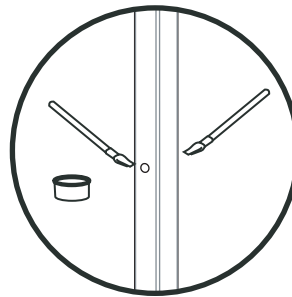
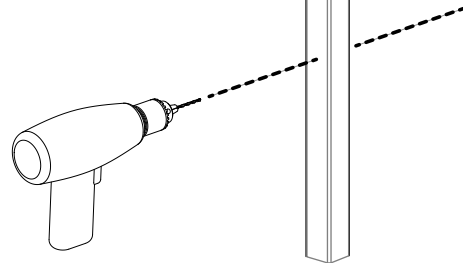
37

For Permanent Height Set Up  
(OPTIONAL)



38

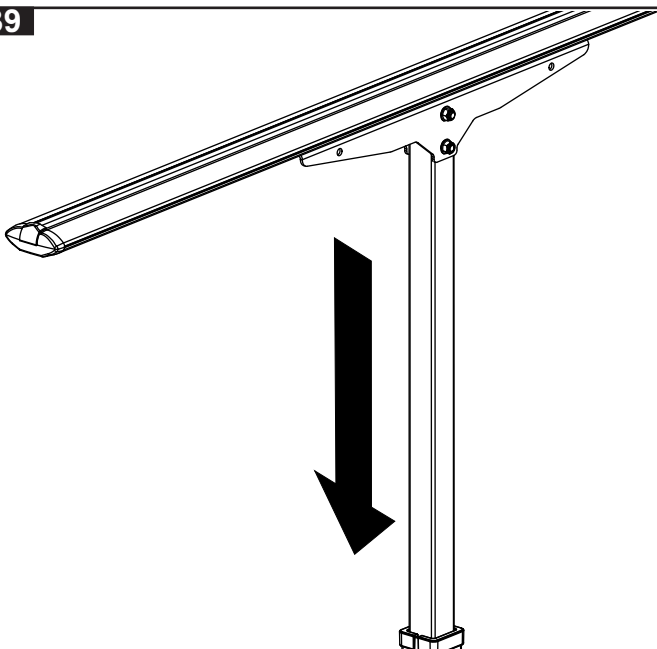
Centre punch, drill  
3mm pilot hole,  
then drill using  
10mm drill bit



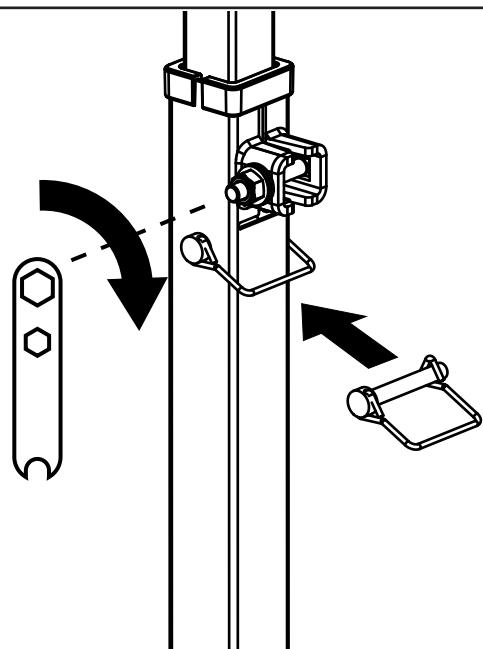
Apply corrosion  
protection (cold  
galvanise) around  
the hole.

\*not supplied

39



40





# Rhino-Rack Kayak T-Load Tow Ball Mount (RTL001)

