



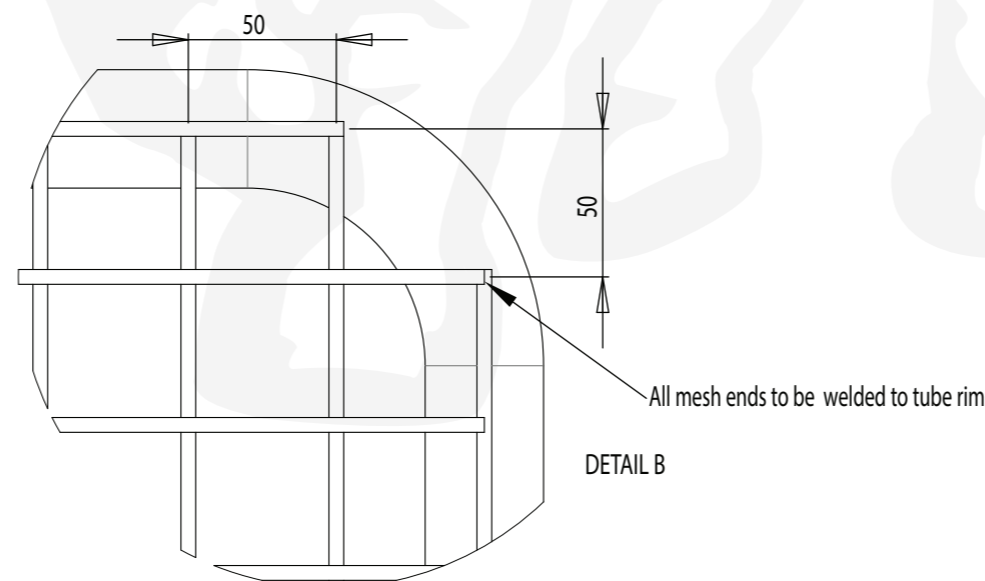
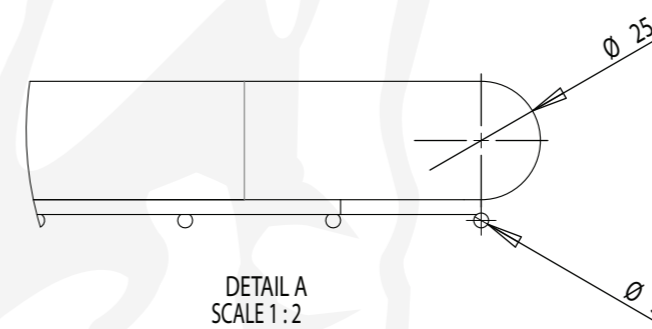
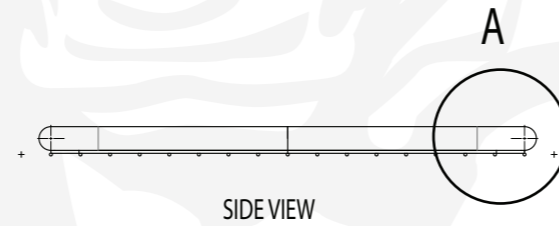
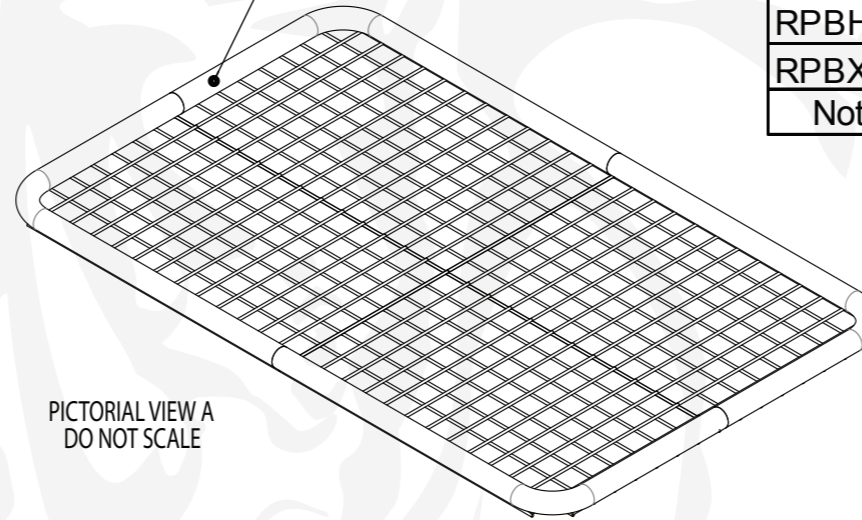
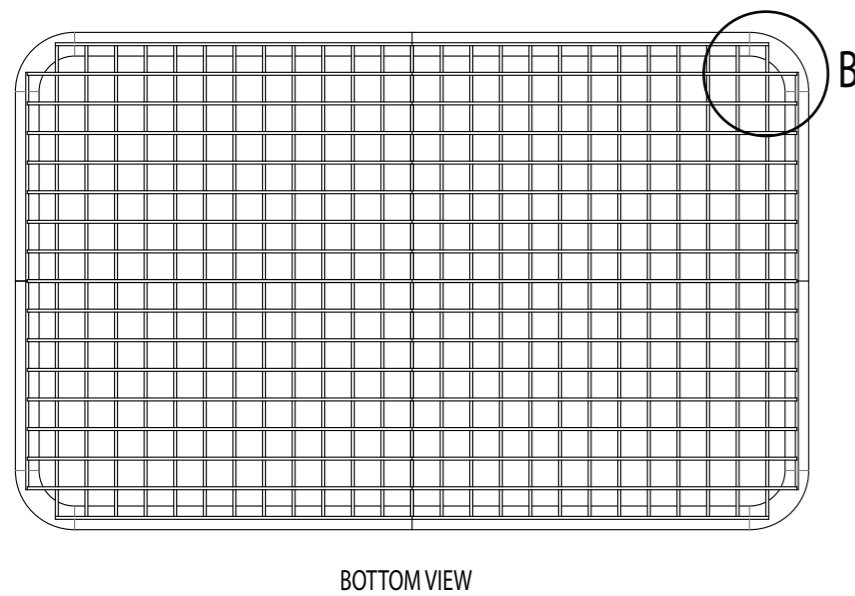
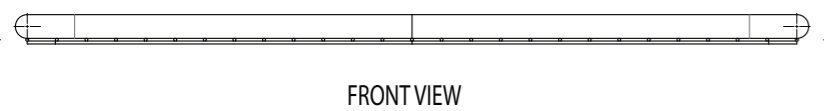
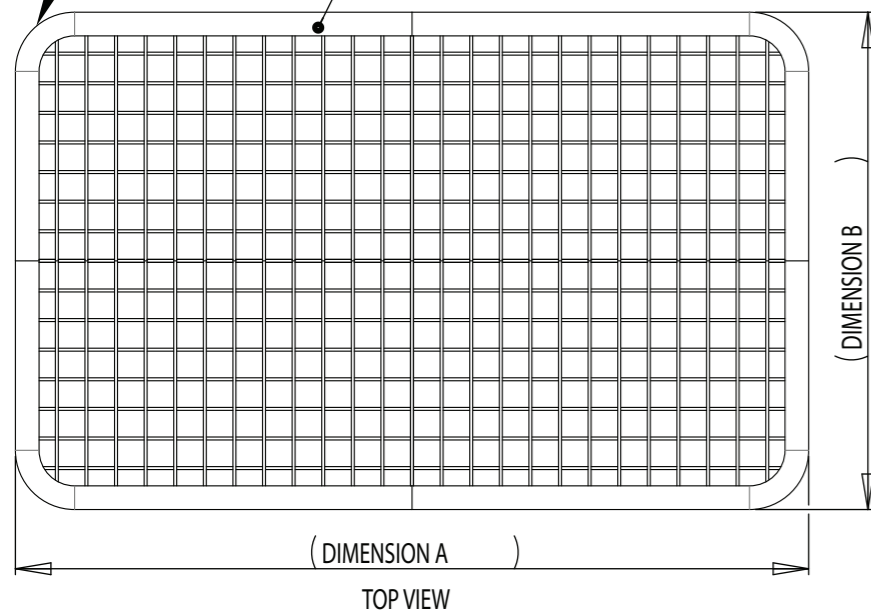
Tube size and radius dimension are to be the same as part GF007-01

DIMENSION B IS TO BE CONSISTENT ALONG DIMENSION A

Top tube to be one piece with a spigot type welded joint.

| Basket Dimensions |       |       |                   |
|-------------------|-------|-------|-------------------|
| Basket Type       | Dim A | Dim B | Mesh Type         |
| RPBS (C619)       | 1245  | 940   | 50 x 50 x 4mm Dia |
| RPBM (C620)       | 1340  | 1100  | 50 x 50 x 5mm Dia |
| RPBL (C621)       | 1590  | 1205  | 50 x 50 x 5mm Dia |
| RPBH (C622)       | 1500  | 650   | 50 x 50 x 5mm Dia |
| RPBXL             | 2120  | 1180  | 50 x 50 x 5mm Dia |

Note:- the outside dimensions of the basket may vary to suit the Mesh type



Material:- Steel tube & mesh  
 Finish:- 9um Zinc plated & Black Powder Coating twice  
 Finish thickness - 1.5mm