



# RHINO-RACK

Aerodynamic & Heavy Duty Roof Rack Systems

## RFL - 4WD Folding Ladder

Place these instructions in the vehicle's glove box after installation is complete.

**Important:** Please read these instructions carefully prior to installation. Please refer to your fitting instruction to ensure that the roof racks and roof cage are installed in the correct locations. Check the contents of kit before commencing fitment and report any discrepancies

### Parts List

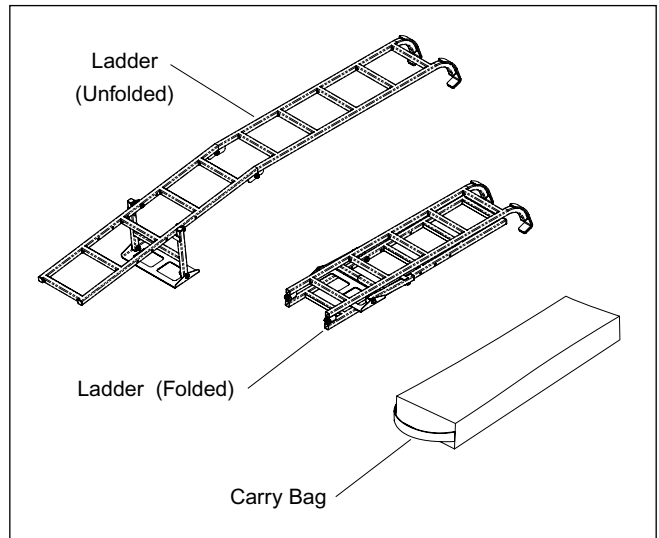
Item	Component Name	Qty	Part No.
1	4WD Folding Ladder Assembly	1	RFL
1	Carry Bag	1	n/a
1	Fitting Instructions	1	RS-3111

### Care Instruction:

Care must be taken when fitting and using the folding ladder. Ensure that the load rating (detailed on back page) is not exceeded.

### Tools Required

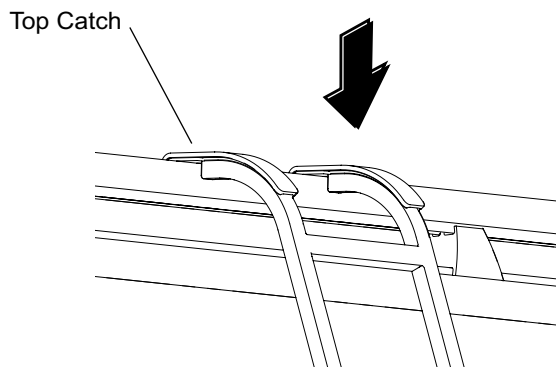
Spanner  
Screwdriver



### 1 General Fitment:

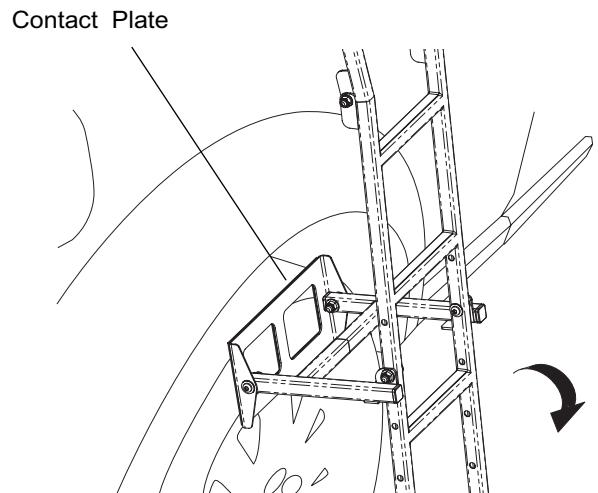
**Step A:** Unfold your ladder and lower the top catch over the side wall of the roof cage as indicated in image below.

Ensure that the ladder has latched securely in place.



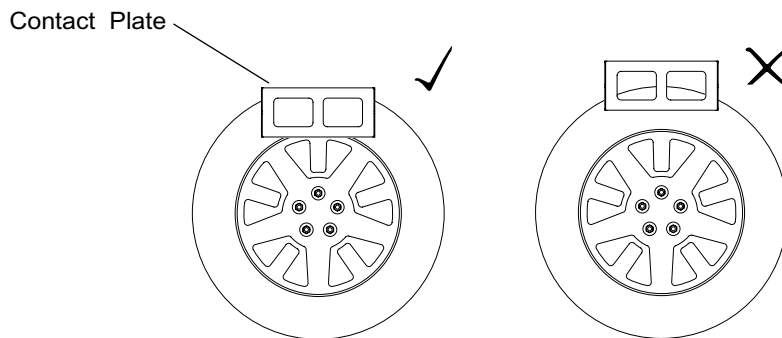
**Step B:** Rotate the lower end of the ladder down towards the vehicle until the stop plate comes in contact with the side wall of the tyre.

Refer next step for correct placement.



## 2 Contact Plate Position:

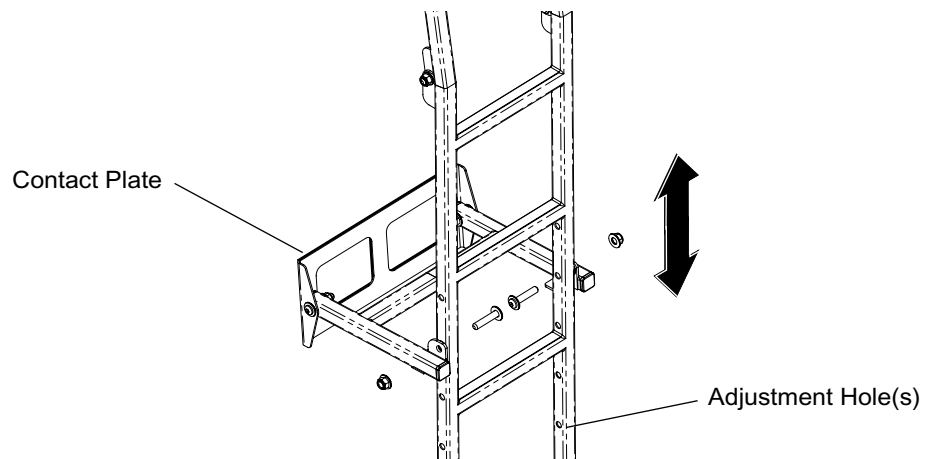
Ensure that the contact plate is positioned as detailed below. Further adjustment may be required, please refer following step for adjustment details.



## 3 Contact Plate Adjustment:

Take note of the assembled position of bolts, nuts and washers to assist re-assembly.

Remove the bolts, nuts and washers as indicated below and proceed to move the contact plate arms up/down as required. Re-assemble with fasteners.



### Load Rating

This product has been given a maximum load rating of **120kg**.

### Note for Dealers and Fitters

It is your responsibility to ensure instructions are given to the end user or client.

Rhino-Rack  
3 Pike Street, Rydalmere,  
NSW 2116, Australia.  
(Ph) (02) 9638 4744  
(Fax) (02) 9638 4822

Document No: RS-311  
Prepared By: Nigel Greig  
Authorised By: Gary England

Issue No: 01  
Issue Date: 04/06/2007

These instructions remain the property of Fetovu Pty Ltd T/as Rhino-Rack and may not be used or changed for any other purpose than intended.